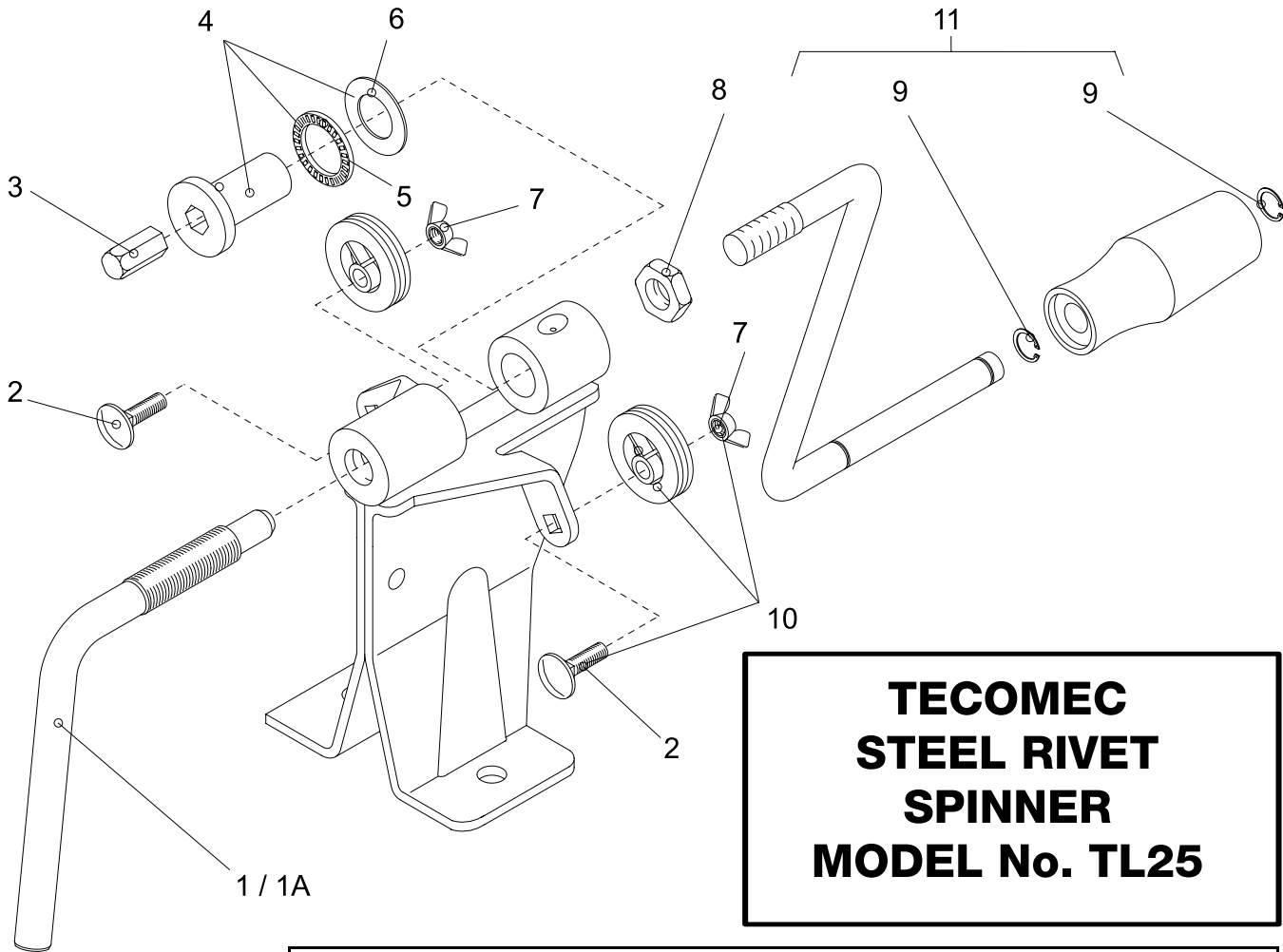


ILLUSTRATED PARTS LISTS



**TECOMEC
STEEL RIVET
SPINNER
MODEL No. TL25**

| RIVET SPINNER MODEL No. TL25 PARTS LIST | | | |
|--|------------------|-------------|---|
| Ref. | Part No. | Qty. | Description |
| 1 | TL27 | 1 | THRUST HANDLE: 3/8" - 1/2" PITCH |
| 1A | TL26 | 1 | THRUST HANDLE: 1/4" - .325 PITCH |
| 2 | TM7009004 | 2 | SCREW UNI 5731 |
| 3 | TL29 | 1 | SPINNER INSERT ANVIL: 3/8" - 1/2" PITCH |
| 4 | TM1025083 | 1 | BUSHING & BEARING KIT |
| 5 | TM3036017 | 1 | THRUST BEARING |
| 6 | TM3036016 | 1 | THRUST WASHER |
| 7 | TM3915006 | 2 | NUT UNI 5448 |
| 8 | TM7100003 | 1 | NUT UNI 5589 |
| 9 | TM3033042 | 2 | SEEGER RING |
| 10 | TM1025131 | 1 | STANDARD WHEEL KIT |
| 11 | TM1025057 | 1 | KIT, COMPLETE HANDLE |