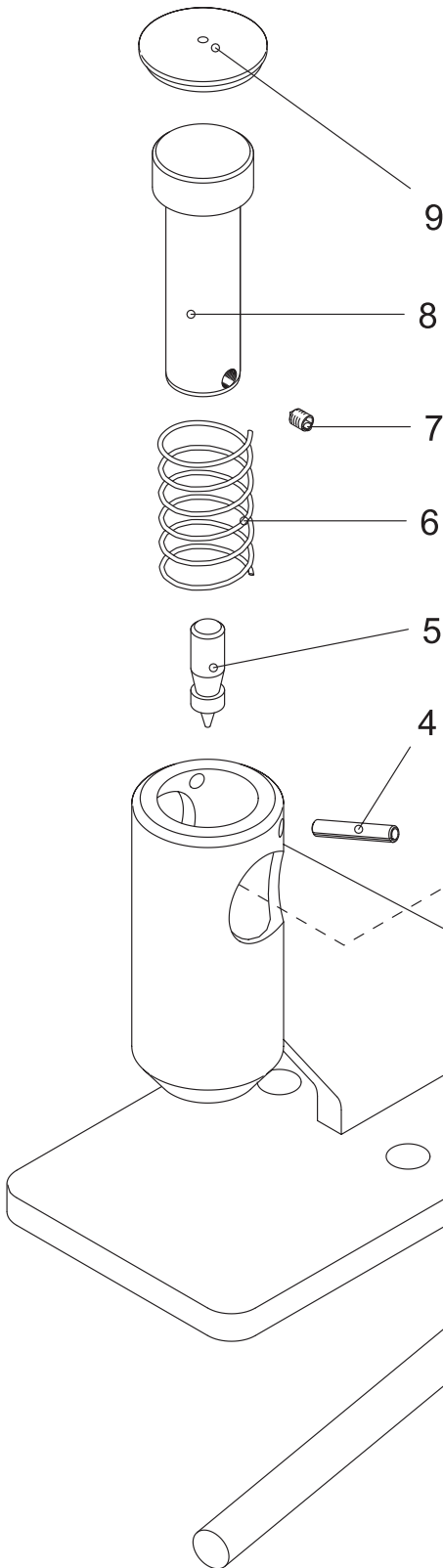


# ILLUSTRATED PARTS LISTS

## TECOMEC CHAIN BREAKER MODEL No. TL20



**STEEL CHAIN BREAKER MODEL No. TL20 PARTS LIST**

Ref.	Part No.	Qty.	Description
1	TM1020028	1	ACTING LEVER
2	TM7007007	1	GRUB SCREW UNI 5939
2	TM7007006	1	GRUB SCREW UNI 5927 (Since 12/03)
3	TM1020029	1	CAM SHAFT W/ GRUB SCREW
4	TM3022016	1	LOCK PIN UNI 6873
5	TL22	1	STANDARD PUNCH: 1/4" - 1/2"
5	TM1020189	1	OPTIONAL .043 NARROW KERF PUNCH
6	TM1020011	1	RETURN SPRING
7	TM7007006	1	GRUB SCREW UNI 5927
8	TM1020009	1	PUNCH HOLDER
9	TM1020012	1	CAP
10	TM1020173	1	6 SLOT ANVIL: 1/4", .325, 3/8", .404
11	B12256	1	ALLEN WRENCH 3

