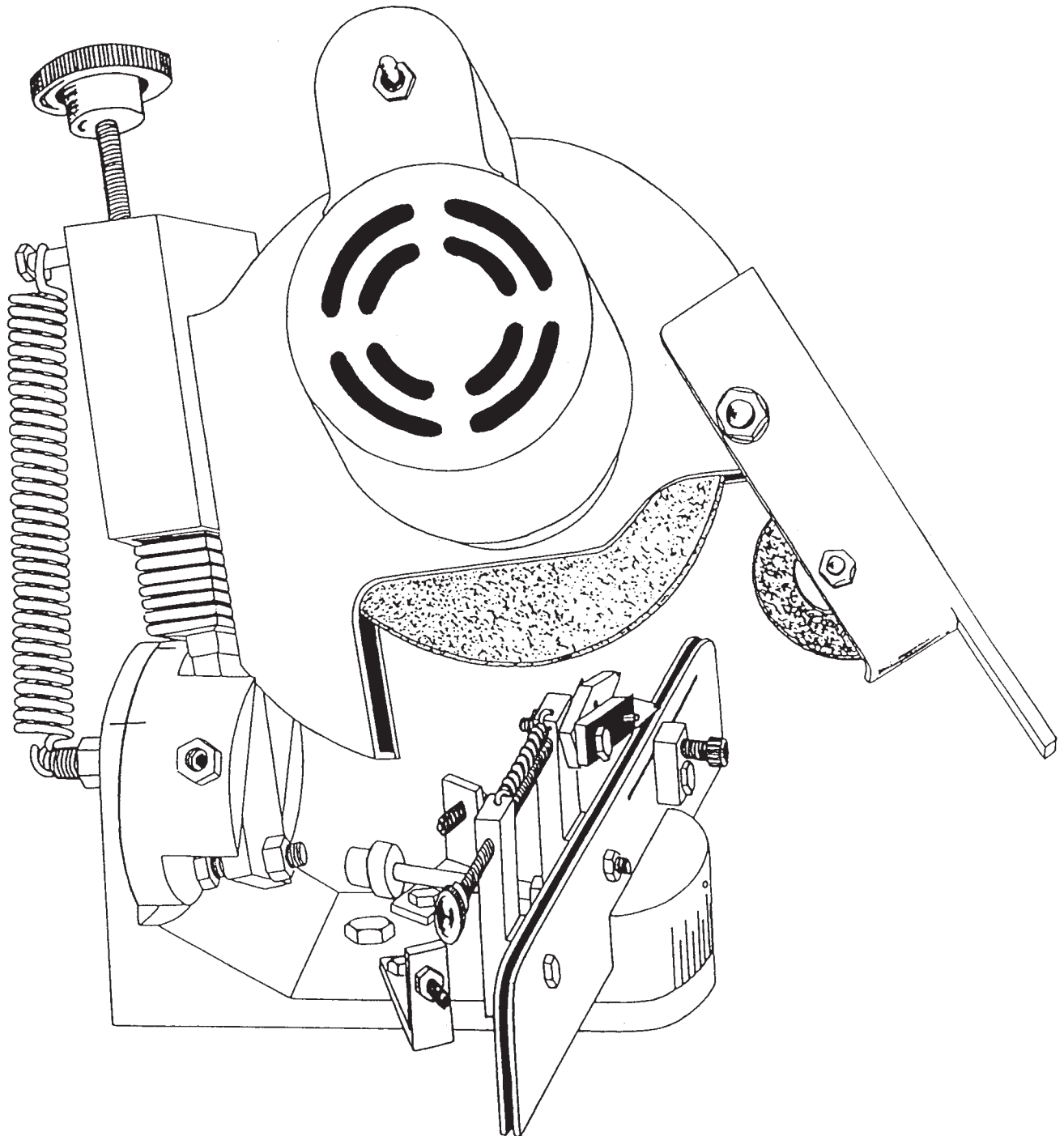


**SHARPCHAIN®**

This manual covers models 300, 510, 600 and P&D



**SILVEY®**





# TABLE OF CONTENTS

1. Table of Contents, Safety Precautions, Warnings
2. Preliminary Setup
3. Assembly And Use Of Dresser Assembly
4. Grinding Wheel And Dresser Wheel Selection
5. Grinding Chain
6. Grinding Depth Gauges And Identification
7. Tooth Troubleshooting
8. The New "Faultless" Stop Pawl
9. Model 300 Parts Breakdown
10. Model 510 Parts Breakdown
11. Model 600 Parts Breakdown
12. Model P&D Parts Breakdown
13. Warranty, Product List

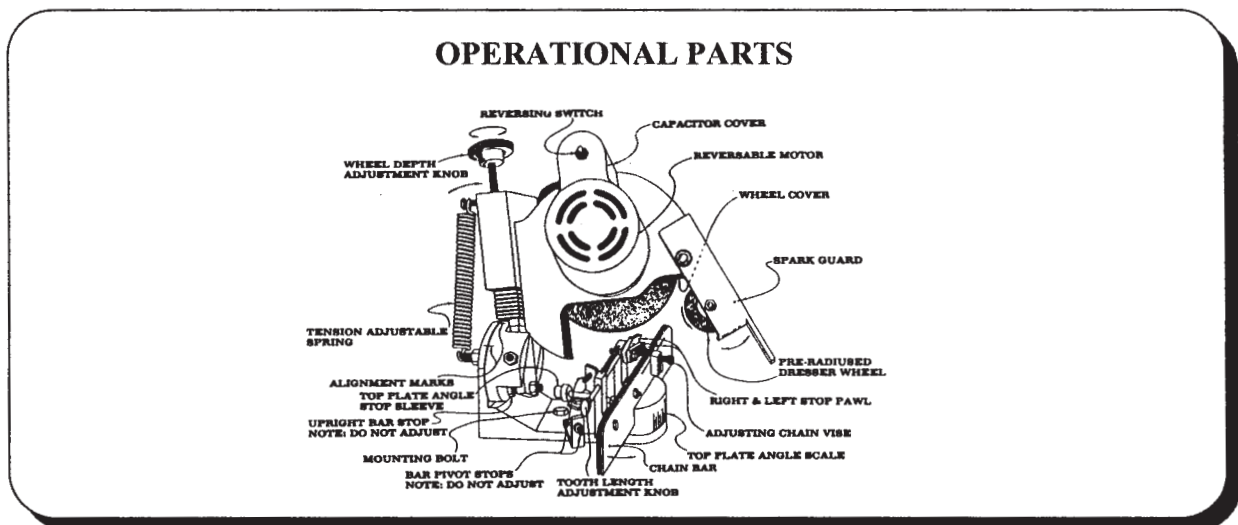
## SAFETY PRECAUTIONS

1. INSPECT GRINDING WHEEL BEFORE MOUNTING
2. PROPERLY TIGHTEN ARBOR NUT (DO NOT HAND TIGHTEN)
3. ALWAYS REPLACE GRINDING WHEEL GUARD (COVER)
4. USE GOGGLES OR PROPER EYE PROTECTION
5. CHECK SWITCH AND ALL ELECTRICAL CONNECTIONS
6. KEEP FINGERS CLEAR
7. READ ALL INSTRUCTIONS CAREFULLY!

### ! WARNING !

All **SILVEY**<sup>®</sup> Grinders are preset at the factory to grind chain with the closest tolerances possible. Therefore, warranty claims due to inaccuracy will not be honored if the factory preset (and/or tagged) adjustments have been altered. If you have a problem with the accuracy of this machine:

1. Consult the directions
2. Call or write the factory BEFORE attempting any adjustments.



## PRELIMINARY SETUP

1. MOUNTING - THE MODEL 300, 510 & P&D GRINDERS ARE DESIGNED TO BE BENCH, STAND OR WALL MOUNTED. TO BENCH MOUNT, A HELPFUL HINT IS TO BOLT THE MACHINE TO A STURDY 2 X 4, EXTENDED 6-8" OFF A WORKBENCH. THE 2 X 4" IS THEN SECURED TO THE WORKBENCH, GIVING A QUIET AND TROUBLEFREE MOUNT. THE MODEL 600 GRINDER IS DESIGNED TO BE STAND MOUNTED. (STAND INCLUDED).

2. LIGHTING - IN ORDER TO DO AN EFFECTIVE JOB, GOOD LIGHTING IS AN ABSOLUTE NECESSITY. OVERHEAD FLOURESCENTS WORK WELL, WHERE INCANDESCENT BULBS CAN LEAVE TOO MUCH GLARE. LOCATING THE MACHINE NEAR A WINDOW OR SKYLIGHT IS ALSO HELPFUL.

3. GRINDING WHEEL MOUNTING - BEFORE MOUNTING ANY GRINDING WHEEL, INSPECT IT CAREFULLY. DO NOT USE WHEELS WITH SIGNS OF CRACKING OR EXCESSIVELY LARGE CHIPPED AREAS. CLEAN THE ARBOR FLANGE BEFORE MOUNTING. WHEN TIGHTENING THE ARBOR NUT, FASTEN SECURELY, DO NOT OVER TIGHTEN.

4. DRESSING THE GRINDING WHEEL - THE **SILVEY**<sup>®</sup> 510, 600 & P&D COME EQUIPPED WITH A PREFORMED DRESSER WHEEL MOUNTED UNDER THE SPARK GUARD. WE RECOMMEND USING IT ONLY FOR FINAL DRESSING; THEREFORE USE A DRESSER BRICK FOR ROUGHING IN A NEW GRINDING WHEEL. THIS WILL GREATLY INCREASE THE LIFE OF YOUR PREFORMED DRESSER.

TO DRESS A GRINDING WHEEL, HOLD THE DRESSER BRICK AGAINST THE WHEEL AS IT IS RUNNING (AWAY FROM YOU - MOTOR SIDE). CAREFULLY CONTOUR THE STONE FACE RADIUS TO ROUGHLY CORRESPOND TO THE PROPER FILE SIZE FOR THE CHAIN TO BE GROUND. NEXT, RUN THE DRESSER WHEEL IN CONTACT UNTIL IT TRUES THE RADIUS. (NOTE: WHEN INSTALLING A NEW DRESSER, ADJUST TO SLIGHTLY CONTACT THE SIDE OF THE WHEEL BEFORE THE RADIUS TOUCHES THE END OF THE WHEEL). (SEE ILLUSTRATIONS PAGE 5). DRESSER WHEEL AND GRINDING WHEELS ARE AVAILABLE TO CORRESPOND TO SPECIFIC FILE SIZES - SEE ACCOMPANYING CHARTS.

### **MODEL 300 & 510**

5. 10° OFFSET (10° DOWN ANGLE ON FILE) FOR ROUND GROUND CHISEL CHAIN - THIS FEATURE IS BUILT INTO YOUR **SILVEY**<sup>®</sup> GRINDER, SAVING ONE STEP IN SETUP. THE 10° DOWNANGLE IS PRESET, WHICH MEANS IT WILL GRIND 10° ON CHIPPER, WITH NO HARMFUL RESULTS. MANY USERS FEEL IT IMPROVES CUTTING EFFICIENCY ON CHIPPER CHAIN.

FIGURE 1

Figure 1 (right) shows correct assembly of the dressing stone. to replace the dressing stone remove Nyloc nut C and firmly slide the stone and its backing washer D off the threaded shaft. Nut B is a stop nut for the stone bushing and should be tight against the unthreaded section.

Lubricate the unthreaded portion of the shaft and slide the new dressing stone on. Put the Nyloc nut C back on the shaft and tighten snugly against the stone bushing as to allow semi-free spinning of the dressing stone. Recommended clearance should be .001 - .003.

FIGURE 2

To adjust the dressing stone into the rotary grinding wheel on your machine, loosen nut A. Move the dressing mechanism into position as in Figure 3. MOTOR IN OFF POSITION. Grasp Nyloc nut C and turn either clockwise or counter-clockwise to adjust the stone so the inner edge of the dressing stone bears on the outer edge of the grinding wheel as shown in Figure 3. Secure nut A. You're ready to dress your wheel.

To dress the wheel turn the motor switch to the position for grinding right hand cutter. Gently push dressing stone into grinding wheel. Dress for only a moment as the stone cuts rapidly. Dress long enough for the grinding wheel to attain the shape of the dressing stone.

NOTE: When grinding new chains it is a great help to dress off the reverse

side of the

grinding wheel as shown in Figure 4.

This permits the wheel to grind freely without interference. you can dress the reverse side off with a stone dresser or a dresser brick.

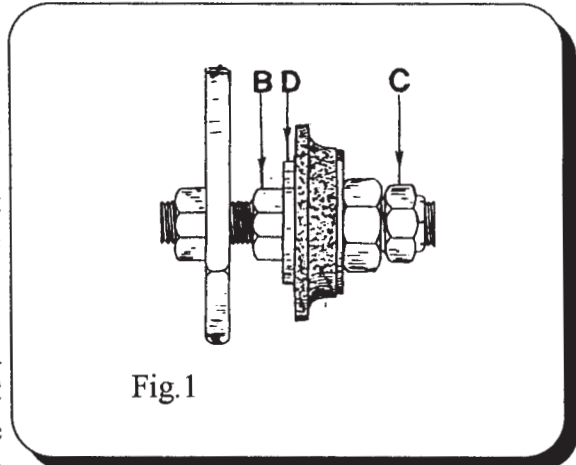


Fig.1

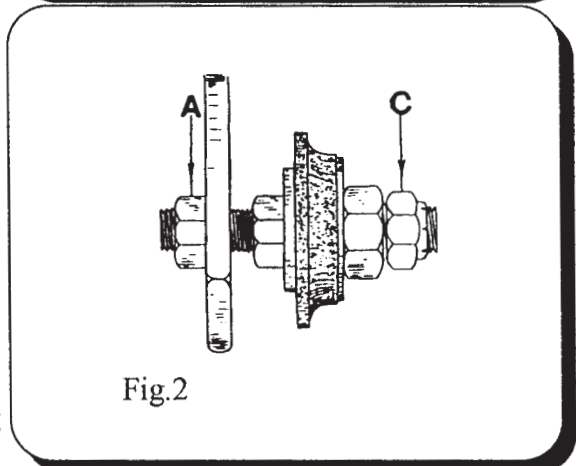


Fig.2

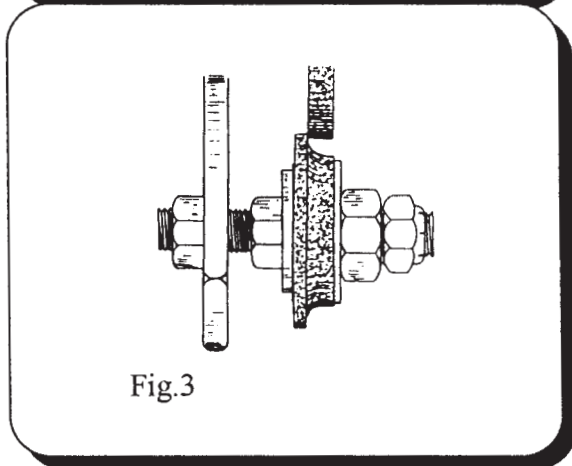
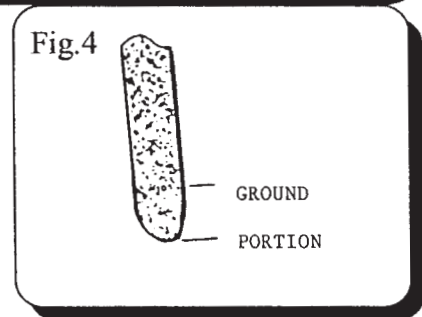


Fig.3



## GRINDING WHEEL AND DRESSER WHEEL SELECTION

CHAIN PITCH	FILE SIZE	GRINDING WHEEL		DRESSER WHEEL
		510 & 600	300	
1/4"	1/8,5/32"	SN021-8R	SG3-8	1/8,5/32"
.325	3/16"	SN021-8R	SG3-8	3/16"
.354	3/16"	SN021-15R	SG3-15	3/16"
3/8"LP (91S)	5/32"	SN021-8,-15R	SG3-8,-15	5/32"
3/8"	7/32"	SN021-15R	SG3-15	7/32"
.404	7/32"	SN021-15R	SG3-15	7/32"
7/16"	1/4"	SN021-15R	SG3-15	1/4"
DEPTH GAUGE		SG8-127	SG3-4	
11-BC (P&D ONLY)	5/16"	SG516		5/16"

"DRESSER WHEEL SIZE IS THE SAME AS FILE SIZE"

**NOTE:** THE THICKER SN021-15R WHEEL ON THE 510 & 600 OR THE SG3-15 WHEEL ON THE 300 CAN BE USED ON 91s (3/8 LP). HOWEVER, ON A NEW UNGROUND CHAIN IT MAY NOT CLEAR THE DEPTH GAUGE. RATHER THAN CHANGE THE STONES THIS PROBLEM CAN BE OVERCOME BY PUTTING A 45° CLEARANCE BEVEL ON THE BACK (UNGROUND) SIDE OF THE GRINDING WHEEL WITH A DRESSER BRICK. (THIS BEVEL MAY LEAVE A SLIGHT GULLET ON 3/8" AND .404 CHAIN - STANDARD PROFILE.)

THE **SILVEY**® MODEL'S 510 & 600 COME WITH ONE SN021-15R GRINDING WHEEL .155 THICK FOR .404 & 3/8" PITCH CHAIN. THE MODEL 300 COMES WITH TWO GRINDING WHEELS, ONE .155 THICKNESS (SG3-15) FOR .404 AND 3/8" PITCH CHAIN, AND ONE .125 THICKNESS (SG3-8) FOR 3/8" LOW PROFILE, .325, AND 1/4" PITCH CHAIN. ONE DRESSER WHEEL IS INCLUDED WITH THE MODEL 510 & 600 TO CORRESPOND TO A 7/32" FILE SIZE, AS USE ON 3/8" AND .404 PITCH CHAIN. THE MODEL POND & DECK GRINDER COMES WITH ONE SG516 GRINDING WHEEL 5/16" THICKNESS AND ONE 5/16" DRESSER WHEEL FOR 11-BC CHAIN. THE CHART ABOVE LISTS WHEEL/DRESSER WHEEL/FILE SIZE SELECTIONS. REFER TO IT FOR THE CORRECT DRESSER WHEELS TO BE USED.

**MOUNTING A NEW DRESSER WHEEL** - BEFORE REMOVING AN OLD DRESSER WHEEL, NOTE HOW IT IS MOUNTED, AND THAT THE POSITIONING OF THE MOUNT IS ADJUSTABLE FOR PROPER WHEEL CONTACT. AFTER SECURING THE NEW DRESSER WHEEL INTO THE ASSEMBLY, IT MUST BE PROPERLY ADJUSTED SO AS TO CONTACT THE WHEEL SIDE SLIGHTLY BEFORE THE PREFORMED RADIUS CONTACTS THE END OF THE GRINDING WHEEL. REMEMBER - ROUGH IN A WHEEL TO THE PROPER RADIUS WITH A DRESSER BRICK FOR INCREASED DRESSER WHEEL LIFE.

**NOTE:** FOR EASE OF CHANGING DRESSER WHEEL SIZES, YOU MAY WISH TO PURCHASE EXTRA COMPLETE DRESSER ASSEMBLIES. THEN THE DRESSER - SPARKGUARD CAN BE SWITCHED AS A UNIT WITH NO REALIGNMENT NECESSARY.

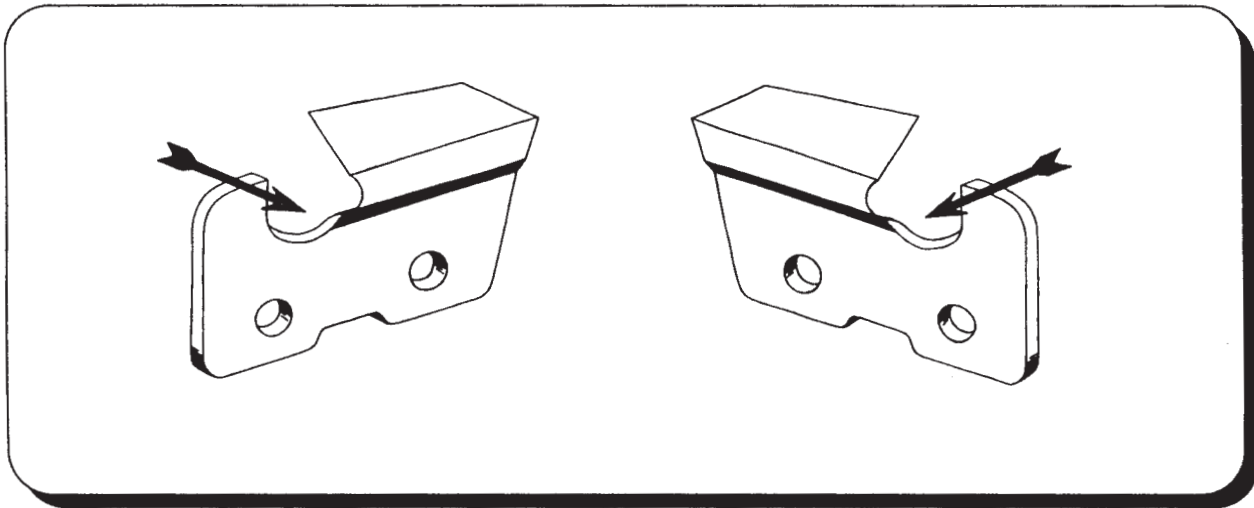
# GRINDING CHAIN

1. **PLACE CHAIN ON BAR** - Slide chain into chain bar with sharp cutting edges to right.
  2. **ADJUST VISE** - Tighten socket hex screw (chain vise) until chain moves through bar with minimum play side to side. **NOTE:** Unnecessary to lock vise for each tooth. "Faultless" stop pawl provides positive hold down when tension applied to loop.
  3. **ADJUST STOP** - Chain stop in 2 halves for right and left cutters. (Nearly impossible to grind into stop on short tooth). Select corresponding half of side of chain to be ground; fold back opposite stop. Press stop downward, touching top of tie strap. When pulled to right, stop will automatically index to proper contact height. Hold slight tension on left side of chain loop while grinding tooth. See page 8 for illustration.
  4. **ADJUST TOP PLATE ANGLE** - To set top plate angle, swing chain bar in direction corresponding to cutters to be ground to positive stop.
  5. **ADJUST TOOTH LENGTH** - After placing chain in bar, swing stop pawl into place and pivot chain bar in proper direction. On the Model 300, grasp grinder by motor capacitor cover, Model 510, 600 & P&D grasp by hand control knob and lower head to chain. Adjust settings with tooth length adjustment knob until light cut can be taken. (**NOTE:** Better results obtained by lightly going around chain several times than by single, heavy cut where burning may occur). On hand filed chain variations in tooth length will be found. For ease of future sharpening and uniformity, go back through and even both sides up. Always grind into tooth, reversing motor when grinding opposite side cutters.
  6. **ADJUST DEPTH** - After tooth length is set, lower or raise depth adjustment knob (with grinder held in operating position) until it will grind to proper sideplate contour. (Consult accompanying illustrations or chain mfg's handbook). Too low or high of depth adjustment will result in poor or rough cutting. This operation will take a light test grind for final adjustment and possibly a minor adjustment in tooth length. **CAUTION** - Too low of grind as seen by excessive hook may result in a chain which is rough or more apt to kick back, so watch tooth contour closely. As with tooth length, normally no depth adjustment is necessary, one side to the other, once proper contour has been achieved.
  7. **TEST GRIND** - With grinding wheel turning into tooth, hand in operating position, and other hand placing tension on left side of chain loop, take light, steady test cut. (**NOTE:** Steady, even cut better than jiggling, repeating cut). Once accustomed to chain grinding, many develop feel for proper hand pressure for clean cool cut. **REMEMBER:** Freshly dressed wheels cut cooler and faster.
  8. **INSPECT** - After grinding one tooth, inspect it for proper shape. (Top plate angle, depth, etc). Check for signs of burning or blueing. Compare with samples in this book, mfg's handbook or a new tooth and correct as necessary.
  9. **GRIND** - Grind all cutters on initial side. You may wish to go around again, evening up to shortest tooth. If too short, readjust only for short tooth; going back to original setting for remaining teeth.
  10. **REVERSE, ROTATE** - When one side has been ground, stop motor and reverse so as to grind INTO cutter to be ground. Switch chain stops for correct side. Pivot chain bar to same setting on other side of center.
  11. **GRIND ONE TOOTH, INSPECT, ADJUST FURTHER IF NECESSARY, AND COMPLETE CHAIN.**
- NOTE: AS SAW CHAIN IS MADE IN A STAMPING OPERATION SLIGHT VARIATIONS IN TOOTH SHAPE MAY OCCUR.**

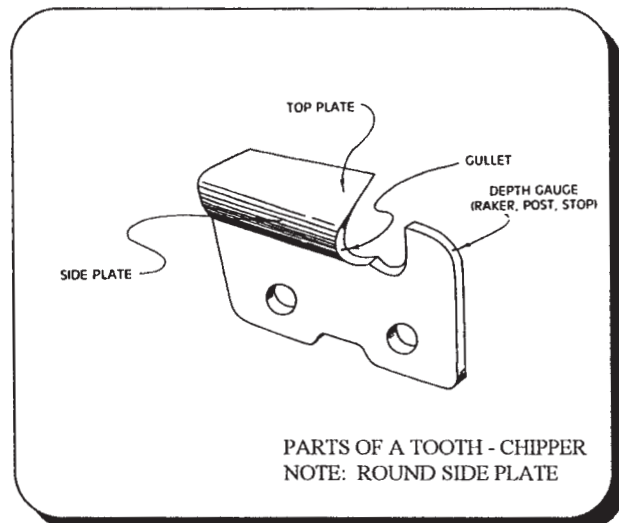
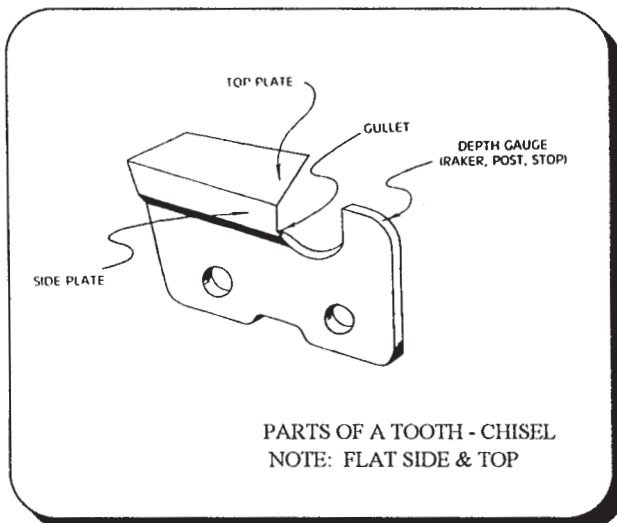
# GRINDING DEPTH GAUGES

1. **CHECK HEIGHT** - Determine initial height by placing chain in straight chain bar or filing vise. Lay straight edge or rule over chain and measure clearance with feeler gauge. Consult mfg's chain guide for specific recommendations.
2. **ADJUST** - Set chain bar at 0°, install chain on bar, hold grinder in operating position and set chain stops so depth gauge is under grinding wheel. Depth is lowered .020 per revolution of depth adjustment knob, so turn according to amount needed. Recheck height and readjust as necessary. Grind all depth gauges on one side of chain first, by bringing grinding wheel down on depth gauge. Let head swing up, repeat for next tooth on **SAME SIDE**. **NOTE:** Motor direction must be reversed for other side as it tends to pull depth gauge into wheel when run in wrong direction. This is a fast and efficient way of lowering the depth gauges on your **SILVEY®** Grinder.

ARROW SHOWS CORRECT GRINDING WHEEL



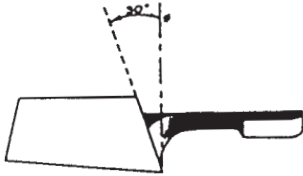
DIRECTION FOR GRINDING DEPTH GAUGES



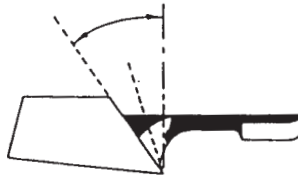


# TOOTH TROUBLESHOOTING

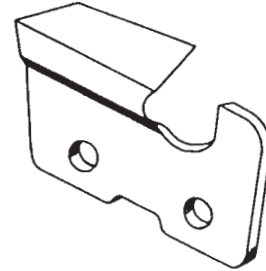
SHOWN IS ROUND GROUND CHISEL CHAIN. THE SAME CHARACTERISTICS APPLY FOR CHIPPER CHAIN.



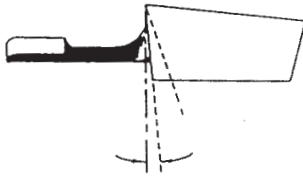
Correct top plate angle for normal usage. NOTE: May be 35° on some chains. Consult chain manufacturer's handbook.



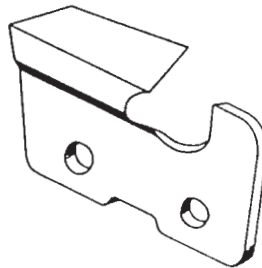
Excessive top plate angle. Causes rough cutting, excessive drive link and bar groove wear. Solution: regrind top plate angle to chain mfg's recommendation. \*DO NOT ADJUST PRESET BAR PIVOT STOPS.



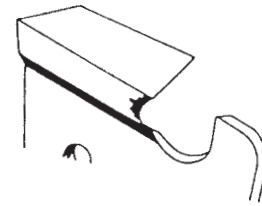
Properly ground tooth, Note: C-shaped area does not extend past sideplate as it would with excessive hook.



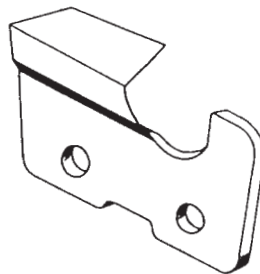
Inadequate top plate angle. Can decrease cutting efficiency. Solution: increase top plate angle to chain mfg's specifications. NOTE: A 10°-15° top plate angle is preferred for ripping chain, as used on chainsaw sawmills.



Excessive hook, causing rough cutting, rapid wear, and an increase in kickback potential. Solution: Set depth adjustment higher.



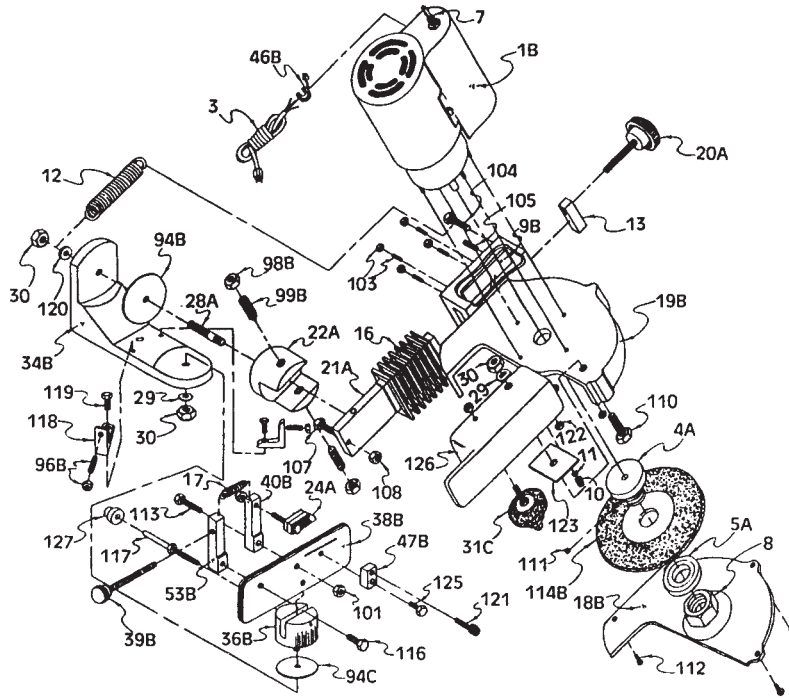
Worn, damaged sideplate resulting in poor cutting action. Solution: Grind back past damaged area. If heavily damaged, take small, quick cuts, going around the chain 2 or 3 times to prevent burning.



Backsloped sideplate - resulting in poor cutting performance. Solution: Set depth adjustment lower on the grinder.



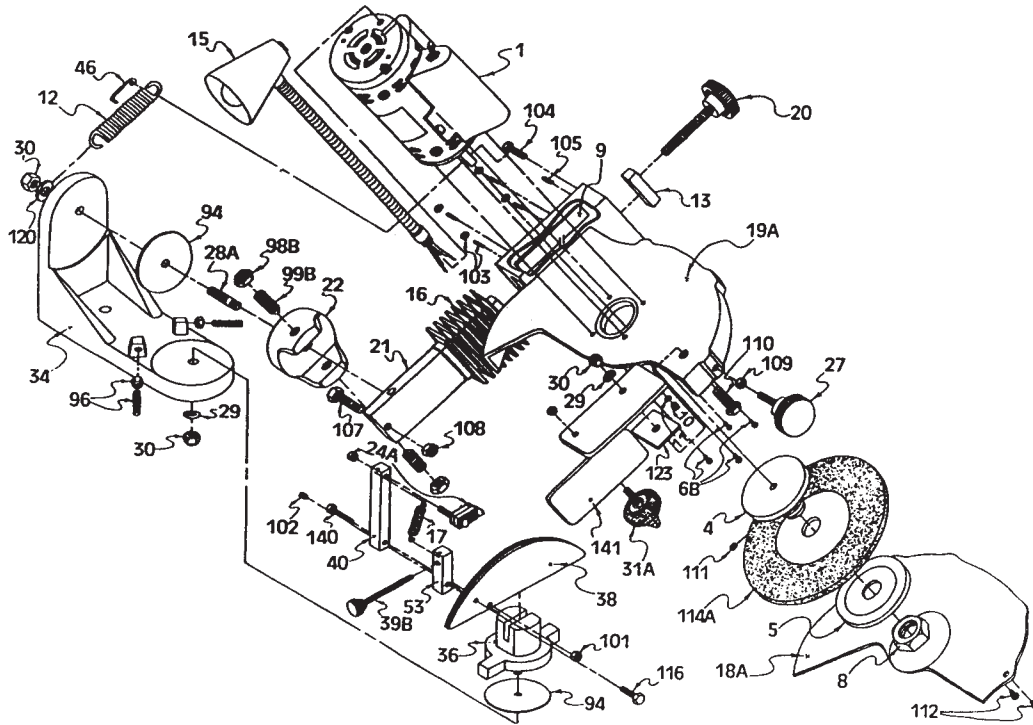
# Model 300 Parts Breakdown



Illus #	Part #	# Req.	Description	Illus #	Part #	# Req.	Description
1B	1B-3	1	Motor	107	107-3	1	Upright Bar Angle Bolt (5/16-24X1)
3	3-3	1	motor cord	108	108-3	1	Nut (5/16-24)
4A	4A-3	1	Arbor	110	110-3	1	Wheel Dresser Assy. Mounting Bolt (3/8-24 X 1)
5A	5A-3	1	Arbor Flange	111	111-3	1	Arbor Nut Screw (10-32 X 3/8 RH)
7	7-3	1	Switch	112	112-3	4	Wheel Cover Screw (1/4-28 X 1)
8	8-3	1	Arbor Nut	113	113-3	1	Bolt - Stop Mount Bracket (1/4-28 X 1)
9B	9B-3	1	Gib	114B	114B-3	1	Grinding Wheel
10	10-3	1	Allen (3/8 X 7/16)	116	116-3	1	Bolt - Tooth Length Adj. Screw Mount (1/4-28 X 1)
11	11-3	1	Teflon	117	117-3	Optional	Angle Bar
12	12-3	1	Spring	118	118-3	2	Bar Stop Bracket
13	13-3	1	Extrusion End Plug (5/16 Hole)	119	119-3	2	Bolt - Bar Stop Bracket (1/4-28 X 1/2)
15A	15A-3	Optional	Light Assembly Kit	120	120-3	1	Washer (3/8)
16	16-3	1	Boot	121	121-3	1	Chain Clamp Bolt (1/4 X 3/4 NF Allen)
18B	18B-3	1	Wheel Cover	122	122-3	4	Motor Mount Nuts (8-32)
19B	19B-3	1	Motor Mount & Wheel Guard	123	123-3	Optional	Nylon Washer
20A	20A-3	1	Wheel Height Adj. Screw Assy.	124	124-3	1	Bolt - Motor Mount & Wheel Guard Assembly (1/4-28 X 1/2)
21A	21A-3	1	Upright Bar (3/8 X 1 3/4)	125	125-3	1	Bolt - Bar Clamp Screw Mount
22A	22A-3	1	Upright Bar Mount & Pivot	126	126-3	Optional	Wheel Dresser Assy. & Spark Guard
24A	24A-3	1	Stop Pawl Assy. (Complete Unit Only)	128	128-3	1pr.	Stop Pawl Fingers (Pairs Only)
28A	28A-3	1	Spring Anchor	145	145-3	Optional	Stand 42"
29	29-3	2	Spring Washer (3/8)				
30	30-3	1	Lock Nut (3/8)				
31C	31C-3	Optional	Wheel Dresser Assembly				
34B	34B-3	1	Machine Base				
36B	36B-3	1	Bar Mount				
38B	38B-3	1	Chain Bar				
39B	39B-3	1	Tooth Length Adj. Screw & Knob				
40B	40B-3	1	Stop Mount Bracket				
46B	46B-3	1	Motor Cord Wire Clamp				
47B	47B-3	1	Chain Clamp Mount				
53B	53B-3	1	Tooth Length Adj. Screw Mount				
94B	94B-3	1	Wear Shim				
94C	94C-3	1	Wear Shim ( Nylon )				
96B	96B-3	2	Bar Mount Stop & Jam Nut				
98B	98B-3	2	Jam Nut				
99B	99B-3	2	Upright Bar Pivot Screw				
101	101-3	1	Nut (1/4-28)				
103	103-3	4	Gib Adj. Screw & Jam Nut				
104	104-3	1	Spring Anchor Bolt (1/4-28 X 3/4)				
105	105-3	1	Allen Set Screw for Extrusion End Plug				

All Prices F.O.B. Medford OR.  
Prices Subject To Change W/O Notice.

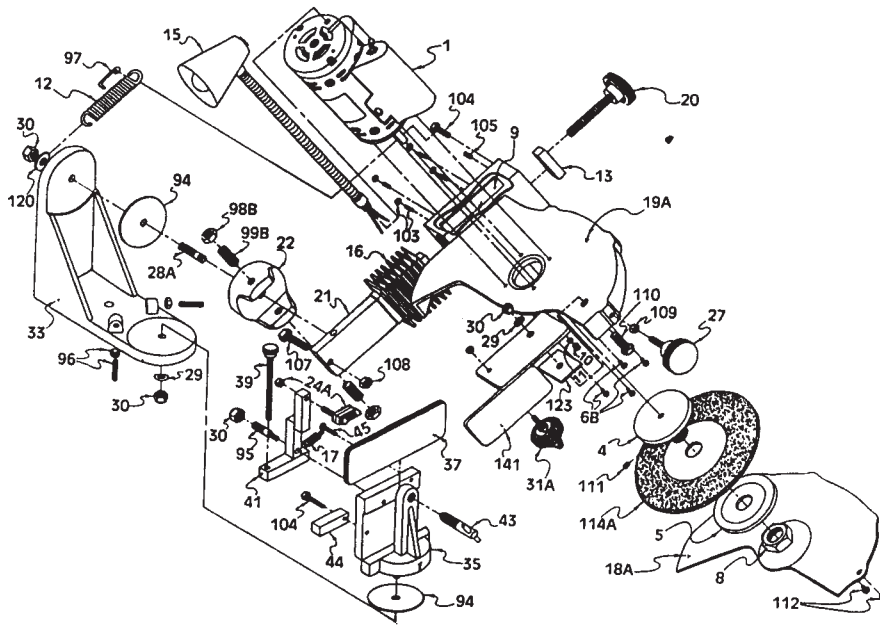
# Model 510 Parts Breakdown



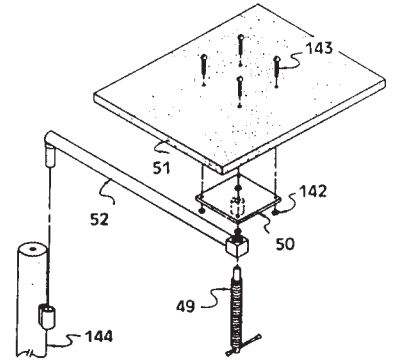
Illus #	Part #	# Req.	Description	Illus #	Part #	# Req.	Description
1	1-5	1	Motor	47B	47B-5	1	Chain Clamp Mount
3	3-5	1	Motor cord	53	53-5	1	Tooth Length Adj. Screw Mount
4	4-5	1	Arbor	94	94-5	1	Wear Shim
5	5-5	1	Arbor Flange	96	96-5	2	Bar Mount Stop & Jam Nut
6B	6B-5	4	Motor Mount Screw (10-32 X 3/4)	98	98-5	2	Jam Nut
7	7-5	1	Switch W/Connectors	99B	99B-5	2	Upright Bar Pivot Screw
8	8-5	1	Arbor Nut	101	101-5	1	Nut (1/4-28)
9	9-5	1	Gib	102	102-5	1	Allen Screw (Bar Mount)
10	10-5	1	Allen (3/8 X 7/16)	103	103-5	4	Gib Adj. Screw & Jam Nut
11	11-5	1	Teflon	104	104-5	1	Spring Anchor Bolt (1/4-28 X 3/4)
12	12-5	1	Spring	105	105-5	1	Allen Set Screw for Extrusion End Plug
13	13-5	1	Extrusion End Plug (5/16 Hole)	107	107-5	1	Upright Bar Angle Bolt (5/16-24X1)
15	15-5	1	Light Assembly	108	108-5	1	Nut (5/16-24)
16	16-5	1	Boot	109	109-5	1	Jam Nut (5/16-18)
17	17-5	1	Spring (Small)	110	110-5	1	Wheel Dresser Assy. Mounting Bolt (3/8-24 X 1)
18A	18A-5	1	Wheel Cover	111	111-5	1	Arbor Set Screw
19A	19A-5	1	Motor Mount & Wheel Guard	112	112-5	4	Wheel Cover Screw (10-32 X 3/8 RH)
20	20-5	1	Wheel Height Adj. Screw Assy.	114A	114A-5	1	Grinding Wheel
21	21-5	1	Upright Bar (3/8 X 1 3/4)	116	116-5	1	Bolt-Tooth Length Adj. Screw Mount (1/4-28x1)
22	22-5	1	Upright Bar Mount & Pivot	120	120-5	1	Washer (3/8)
24A	24A-5	1	Stop Pawl Assy. (Complete Unit Only)	121	121-5	1	Chain Clamp Bolt (1/4 X 3/4 NF Allen)
27	27-5	1	Hand Control Knob	123	123-5	1	Nylon Washer
28A	28A-5	1	Spring Anchor	125	125-5	1	Bolt - Bar Clamp Screw Mount
29	29-5	2	Spring Washer (3/8)	128	128-5	1pr.	Stop Pawl Fingers (Pairs Only)
30	30-5	1	Lock Nut (3/8)	140	140-5	1	Bolt (1/4-28x1)
31A	31A-5	1	Wheel Dresser Assembly	141	141-5	1	Spark Guard
34	34-5	1	Machine Base	145	145-5	Optional	Stand 42"
36	36-5	1	Bar Mount				
38	38-5	1	Chain Bar				
39B	39B-5	1	Tooth Length Adj. Screw & Knob				
40	40-5	1	Stop Mount Bracket				
46B	46B-5	1	Motor Cord Wire Clamp				

Prices F.O.B. Medford OR.  
Prices Subject To Change W/O Notice.

# Model 600 Parts Breakdown



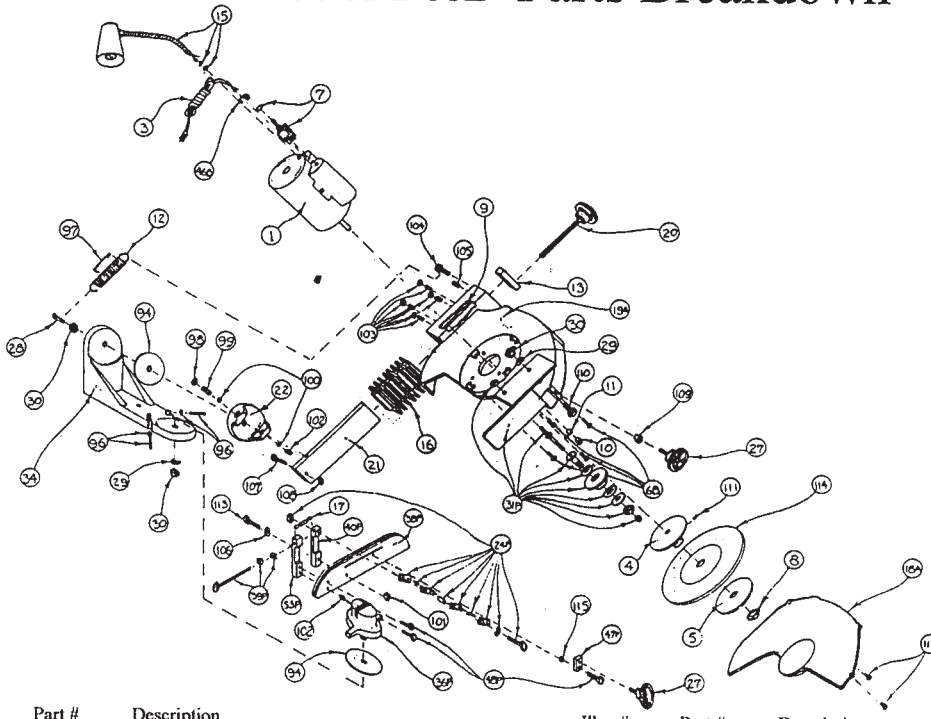
MODEL 600 TURN TABLE ASSEMBLY BREAKDOWN



Illus #	Part #	# Req.	Description	Illus #	Part #	# Req.	Description
1	1-6	1	Motor	47B	47B-6	1	Chain Clamp Mount
3	3-6	1	motor cord	94	94-6	1	Wear Shim
4	4-6	1	Arbor	96	96-6	2	Bar Mount Stop & Jam Nut
5	5-6	1	Arbor Flange	98	98-6	2	Jam Nut
6B	6B-6	4	Motor Mount Screw (10-32 X 3/4)	99B	99B-6	2	Upright Bar Pivot Screw
7	7-6	1	Switch W/Connectors	103	103-6	4	Gib Adj. Screw & Jam Nut
8	8-6	1	Arbor Nut	104	104-6	1	Spring Anchor Bolt (1/4-28 X 3/4)
9	9-6	1	Gib	105	105-6	1	Allen Set Screw for Extrusion End Plug
10	10-6	1	Allen (3/8 X 7/16)	107	107-6	1	Upright Bar Angle Bolt (5/16-24X1)
11	11-6	1	Teflon	108	108-6	1	Nut (5/16-24)
12	12-6	1	Spring	109	109-6	1	Jam Nut (5/16-18)
13	13-6	1	Extrusion End Plug (5/16 Hole)	110	110-6	1	Wheel Dresser Assy. Mounting Bolt (3/8-24 X 1)
15	15-6	1	Light Assembly	111	111-6	1	Arbor Set Screw
16	16-6	1	Boot	112	112-6	4	Wheel Cover Screw (10-32 X 3/8 RII)
17	17-6	1	Spring (Small)	114A	114A-6	1	Grinding Wheel
18A	18A-6	1	Wheel Cover	120	120-6	1	Washer (3/8)
19A	19A-6	1	Motor Mount & Wheel Guard	121	121-6	1	Chain Clamp Bolt (1/4 X 3/4 NF Allen)
20	20-6	1	Wheel Height Adj. Screw Assy.	123	123-6	1	Nylon Washer
21	21-6	1	Upright Bar (3/8 X 1 3/4)	125	125-6	1	Bolt - Bar Clamp Screw Mount
22	22-6	1	Upright Bar Mount & Pivot	128	128-6	1pr.	Stop Pawl Fingers (Pairs Only)
24A	24A-6	1	Stop Pawl Assy. (Complete Unit Only)	141	141-5	1	Spark Guard
27	27-6	1	Hand Control Knob	142	142-6	1	Nut (1/4-20)
28A	28A-6	1	Spring Anchor	143	143-6	1	Machine Screw (1/4-20 X 1 1/4)
29	29-6	2	Spring Washer (3/8)	144	144-6	1	Stand
30	30-6	1	Lock Nut (3/8)				
31A	31A-6	1	Wheel Dresser Assembly				
33	33-6	1	Machine Base				
35	35-6	1	Bar Clamp				
37	37-6	1	Stub Chain Bar				
39B	39B-6	1	Tooth Length Adj. Screw & Knob				
41	41-6	1	Stop Mount Bracket				
43	43-6	1	Bar Clamp Bolt				
44	44-6	1	Tooth Length Adj. Screw Stop				
45	45-6	1	No. 17 Spring Anchor				
46B	46B-6	1	Motor Cord Wire Clamp				

Prices F.O.B. Medford OR.  
Prices Subject To Change W/O Notice.

# Model P&D Parts Breakdown



Illus #	Part #	Description	Illus #	Part #	Description
1	1-PD	Motor	103	103-PD	Gib Adj. Set Screw & Jam Nut
3	3-PD	Motor Cord	104	104-PD	Spring Anchor Bolt
4	4-PD	Arbor	105	105-PD	Allen Set Screw For Extrusion End Plug
5	5-PD	Arbor Flange	106	106-PD	Washer (1/4")
6B	6B-PD	Motor Mount Screw	107	107-PD	Upright Bar Angle Bolt Machine Head
7	7-PD	Switch	108	108-PD	Nut (5/16-24)
8	8-PD	Arbor Nut	109	109-PD	Jam Nut (5/16-18)
9	9-PD	Gib	110	110-PD	Wheel Dresser Assy. Mounting Bolt
10	10-PD	Allen Screw	111	111-PD	Arbor Set Screw
11	11-PD	Teflon Pad	112	112-PD	Wheel Cover Screw
12	12-PD	Spring	113	113-PD	Bolt Stop Mount Bracket
13	13-PD	Extrusion End Plug	114	114-PD	Grinding Wheel
15	15-PD	Light Assy.	115	115-PD	Bar Clamp Mount Washer
16	16-PD	Boot			
17	17-PD	Spring			
18A	18A-PD	Wheel Cover			
19A	19A-PD	Motor Mount & Wheel Guard			
20	20-PD	Wheel Height Adj. Screw			
21	21-PD	Upright Bar			
22	22-PD	Upright Bar Mount & Pivot			
24P	24P-PD	Stop Pawl Assy. (Complete)			
27	27-PD	Hand Control Knob			
27B	27B-PD	Bar Clamp Knob			
28	28-PD	Spring Anchor			
29	29-PD	Spring Washer			
30	30-PD	Lock Nut			
31P	31P-PD	Wheel Dresser Assy.			
34	34-PD	Machine Base			
36P	36P-PD	Bar Mount			
38P	38P-PD	Chain Bar			
39	39-PD	Tooth Length Adj. Screw & Knob			
40	40P-PD	Stop Mount Bracket			
46B	46B-PD	Motor Cord Wire Clamp			
47P	47P-PD	Bar Clamp Knob Mount			
48P	48P-PD	Bolt-Bar Clamp Mount & Tooth Length Adj. Screw Mount			
53P	53P-PD	Tooth Length Adj. Screw Mount			
94	94-PD	Wear Shim			
96	96-PD	Bar Mount Stop & Jam Nut			
97	97-PD	Spring Tension Clip			
98	98-PD	Jam Nut			
99	99-PD	Upright Bar Pivot Screw			
101	101-PD	Nut (1/4-28)			
102	102-PD	Allen Screw			

All Prices F.O.B. Medford OR.  
Prices Subject To Change W/O Notice.



# WARRANTY

ALL SILVEY CHAIN GRINDERS ARE SOLD WITH AN UNCONDITIONAL 30 DAY WARRANTY ON MATERIALS AND WORKMANSHIP. (PROOF OF PURCHASE DATE MUST ACCOMPANY WARRANTY CLAIM).

---

## OPTIONAL ACCESSORIES

DRESSER WHEEL KIT  
LAMP KIT  
42" STAND

(MODEL 300 ONLY)

## OTHER SILVEY<sup>®</sup> PRODUCTS

BAR RAIL CLOSER  
BRG (BAR RAIL GRINDER)  
RAZUR SHARP-2 CHISEL CHAIN GRINDER (CHISEL GROUND)  
PRO SHARP CHISEL CHAIN GRINDER (CHISEL GROUND)  
MODEL SDM-4 CHISEL CHAIN GRINDER (CHISEL GROUND)  
MODEL HDG-6 HEEL, DEPTH GAUGE AND GULLET GRINDER

### **TREE JACKS:**

TREE SAVER 125 TON CAPACITY, WEIGHT 59lbs. 5 5/8" LIFT

LITTLE FELLER 70 TON CAPACITY, WEIGHT 39lbs. 4" LIFT

FEATHERWEIGHT 28 TON CAPACITY, WEIGHT 19lbs. 3 1/2" LIFT

**PLUS A COMPLETE LINE OF GRINDING WHEELS TO FIT ALL POPULAR CHAIN GRINDERS.**

**MANUFACTURED BY:**

**SILVEY CHAINGRINDER CO.  
4007 CRATER LAKE HWY.  
MEDFORD, OR 97504  
Phone: (541) 734-4118  
Fax: (541) 734-2324**