

Tecomec >> Chain saw accessories >> Electric chain grinder >> Compact



NEW

Compact

Professional evolution of the most sold chain grinder in the world.
Sturdy and reliable.
Suitable for most common pitch chains and types.

- Sharpens 3/4" pitch chain when fitted with attachment our special vise P/N 1102900 (to be ordered separately).
- Sharpens DOWN ANGLE chains (s10° tilting) when fitted with attachment our P/N 1135026 (to be ordered separately).



Certifications



230V ~ 50Hz



120V ~ 60Hz

PLUG



120 V~



230 V~

Features

| P/N | VOLTAGE V~ | FREQUENCY Hz | RATED POWER W | MAX SPEED min-1 | WEIGHT Kg | CHAIN PITCH | EAN13 CODE |
|----------|---------------|-----------------|---------------------|-----------------------|--------------|--------------------------|---------------|
| 11359004 | 230 | 50 | 214 | 2800 | 6,0 | 1/4" .325" 3/8" .404" | 8032706103114 |
| 11369000 | 120 | 60 | 300 | 3400 | 6,0 | 1/4" .325" 3/8" .404" | 8032706103114 |

Packaging



CARTON BOX

1 pc



MASTER PACK

4 pcs



PALLET

56 pcs

| | | | |
|-----------|-------------------|-------------|----------|
| Quantità | 1 pc | 4 pcs | 56 pcs |
| DIMENSION | 29,5 x 37 x 26 cm | 63x40x54 cm | |
| WEIGHT | 8,1 kg | 34 kg | 496,0 kg |

ORDER
MULTIPLES OF:

4 pcs

Provided with following items



GRINDING WHEEL

- 1 pc Thickness 3,2 mm for: 1/4" - .325" - 3/8" chains
- 1 pc Thickness 4,7 mm for: .325" - 3/8" - .404" chains
- 1 pc Thickness 6,0 mm for depth gauge



DRESSING BRICK

1 pc



TEMPLATE

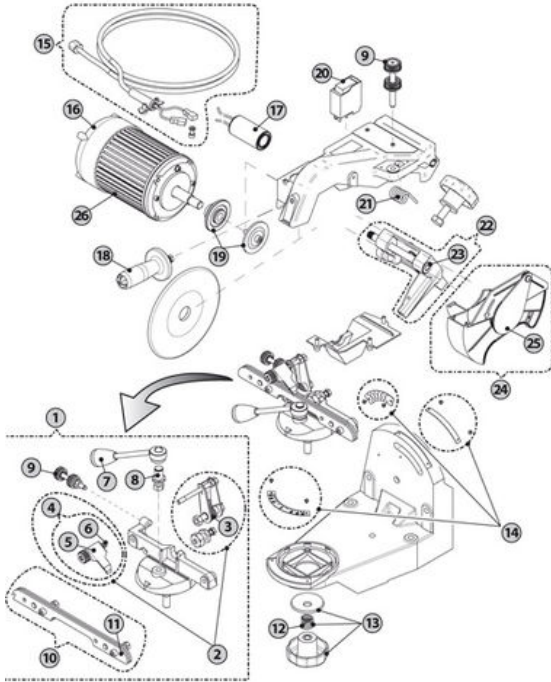
1 pc



WRENCHES

1 pc HEX. 4 mm
1 pc HEX. 5 mm

Spare parts



| P/N | DESCRIPTION | ORDER MULTIPLES OF |
|-----|--|--------------------|
| 1 | K00200203 Complete vise assembly | 1 pc |
| 2 | K00200356 Chain hold kit | 1 pc |
| 3 | K00200352 Spring | 10 pcs |
| 4 | K00200193 Chain stop, vise assy | 1 pc |
| 5 | K00200350 Chain stop (5 pcs.) | 5 pcs |
| 6 | K00200351 Spring | 5 pcs |
| 7 | K00200197 vise handle | 1 pc |
| 8 | K00200199 cam post | 1 pc |
| 9 | K00200357 Adjustment knobs, kit | 1 pc |
| 10 | K00200196 vise jaws | 1 pc |
| 11 | K00200353 chain vise spacers | 10 pcs |
| 12 | K00200180 Spring | 10 pcs |
| 13 | K00200342 Vise locking kit | 1 pc |
| 14 | K00200333 Scales Kit | 1 pc |
| 15 | K00200162 Cable kit complete with plug-230V~ AUS | 1 pc |
| 15 | K00200161 Cable kit complete with plug-230V~ CH | 1 pc |
| 15 | K00200160 Cable kit complete with plug - 230V~ | 1 pc |
| 15 | K00200145 Cable kit complete with plug - 120V~ | 1 pc |
| 16 | K00200155 End motor bell | 1 pc |
| 17 | K00200152 Capacitor 8 Micro-Farad - 120V~ | 1 pc |
| 17 | K00200158 Capacitor 8 Micro-Farad - 230V~ | 1 pc |
| 18 | K00200147 Handle kit | 1 pc |
| 19 | K00200355 Motor flange kit (outer and inner) | 1 pc |
| 20 | K00200157 Switch 230V~ | 1 pc |
| 20 | K00200151 Switch - 120V~ | 1 pc |
| 21 | K00200201 Spring, arm return | 50 pcs |

| | | | |
|----|-----------|------------------------|-------|
| 22 | K00200184 | Bracket, arm support | 1 pc |
| 23 | K00200354 | Bronze bushing | 5 pcs |
| 24 | K00200195 | Shield wheel protector | 1 pc |
| 25 | K00200140 | Shield kit | 1 pc |
| 26 | K00200144 | E-Motor - 120V~ | 1 pc |
| 26 | K00200159 | E-Motor - 230V~ | 1 pc |

Nylon Bag



Accessories to be ordered separately