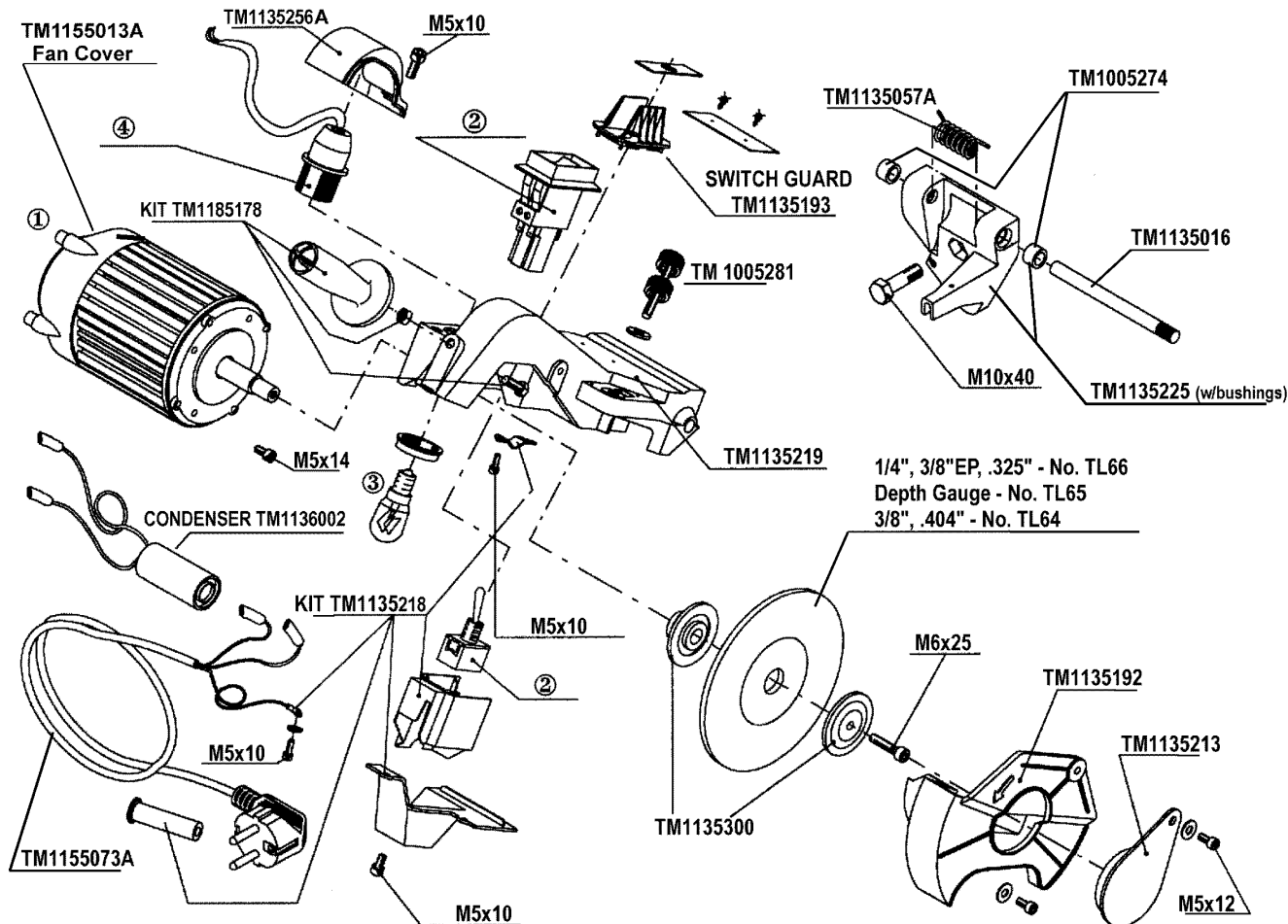


ILLUSTRATED PARTS LISTS

TECOMEC "JOLLY DELUXE" CHAIN GRINDER MODEL TL136 Page 1 of 2



- 1 Motor only, 120v — No. **TM1136014**
Motor with arm assembly — No. **TM1136003**

- 2-way on/off toggle switch — No. **TM1155107**
2 2-way rocker switch — No. **TM1150184**
3-way toggle switch (older production) — No. **TM1005039**

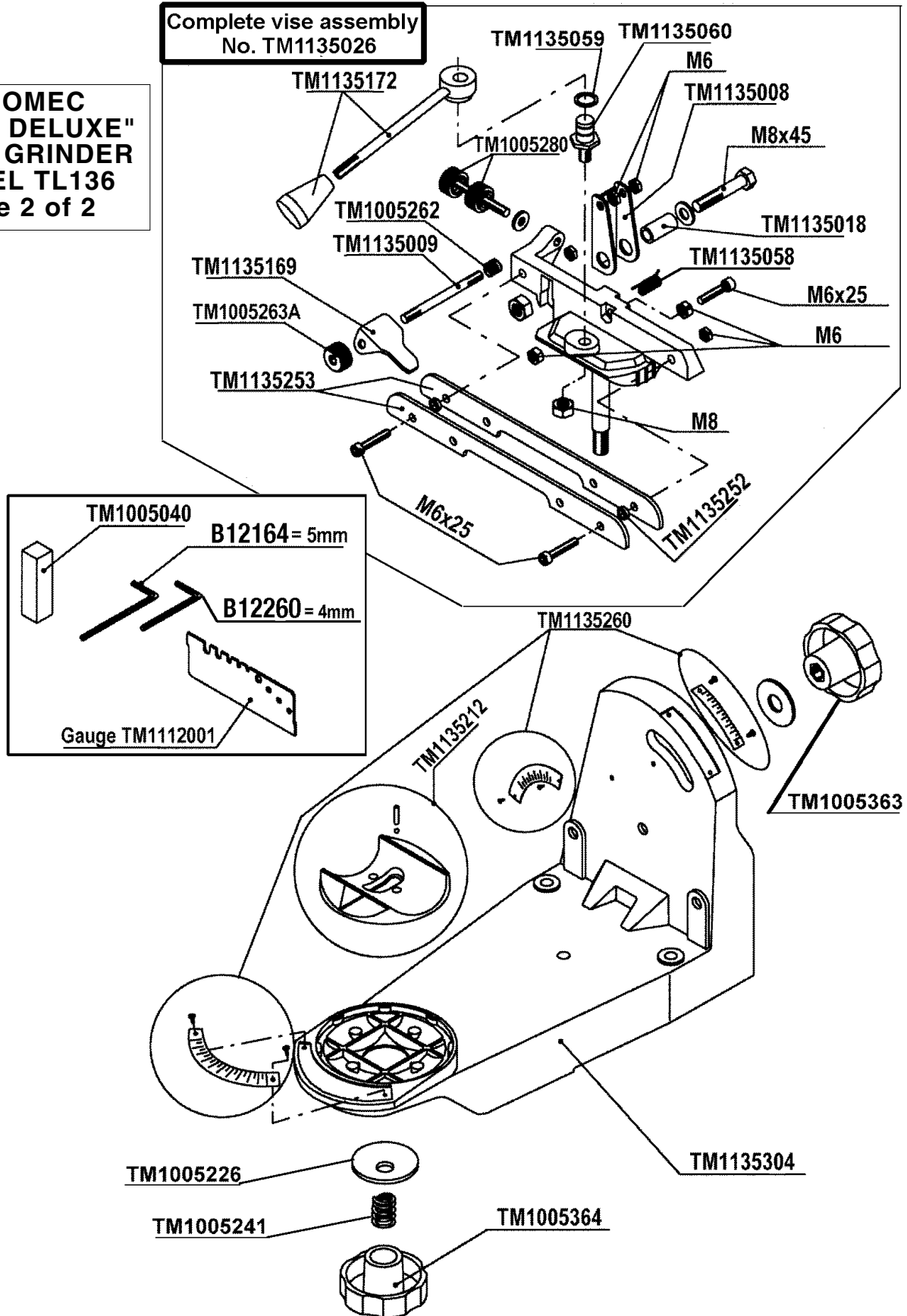
- Replacement bulb, GE 120v/15W — No. **TM1136032**
3 Replacement bulb (older production), stamped "Leuci E14, 3c" — (No. TM1135266) - **No Longer Available**
NOTE: Replace with TM1136032 bulb and TM1136031 socket. GE bulb will not fit in older socket.

- Socket for GE bulb — No. **TM1136031**
4 Socket for Leuci bulb — No. TM1135264 — (No longer available. See note above.)

* **Model Number may vary on owners' manual and/or model plate on grinder.**
Also identified as "Type FL136".

ILLUSTRATED PARTS LISTS

**TECOMEC
"JOLLY DELUXE"
CHAIN GRINDER
MODEL TL136**
Page 2 of 2



*For "Front Mount" guide plate on older models, use No. TM1135211