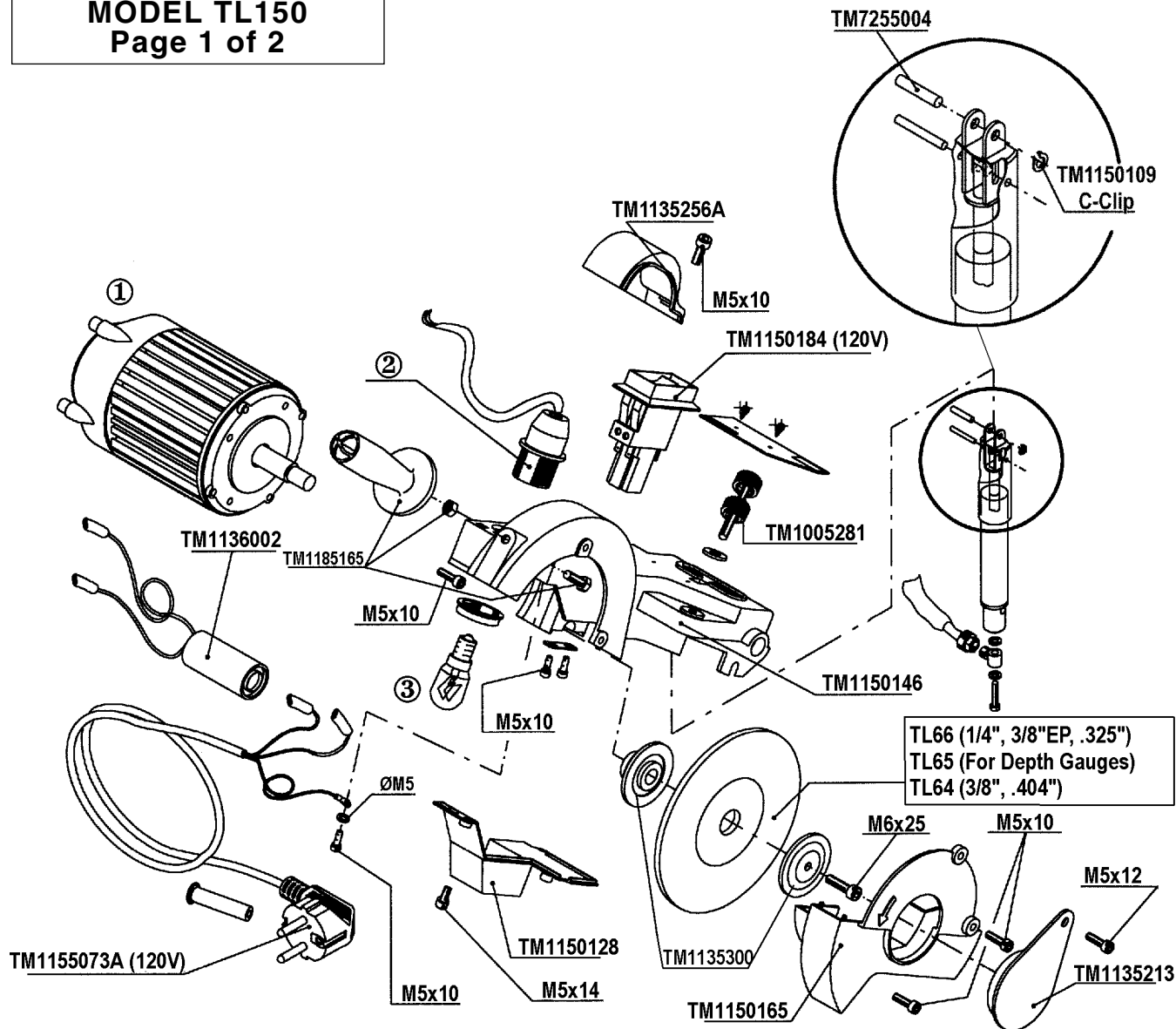


# ILLUSTRATED PARTS LISTS

**TECOMEC  
"SUPER JOLLY"  
MODEL TL150  
Page 1 of 2**



- 1 Motor only, 120v — No. **TM113614**  
Motor with arm assembly — No. **TM1150163**

Replacement bulb, GE 120v/15W — No. **TM1136032**

- 2 Replacement bulb (older production), stamped "Leuci E14, 3c" — (No. TM1135266) - **No Longer Available**  
**NOTE: Replace with TM1136032 bulb and TM1136031 socket. GE bulb will not fit in older socket.**

Socket for GE bulb — No. **TM1136031**

- 3 Socket for Leuci bulb — No. TM1135264 — (No longer available. See note above.)

\* **Model Number may vary on owners' manual and/or model plate on grinder.**

**Also identified as "Type FL136".**

# ILLUSTRATED PARTS LISTS

**TECOMEC  
"SUPER JOLLY"  
MODEL TL150  
Page 2 of 2**

Complete Assembly  
No. TM1150159

