

SHARPCHAIN®

RAZUR SHARP II

THE 'R2' SQUARE CHISEL
CHAIN GRINDER

PARTS MANUAL

MANUFACTURED BY:

 **SILVEY**® CHAINGRINDER CO.

4007 CRATER LAKE HIGHWAY
MEDFORD, OR 97504

Phone: 541-734-4118

Fax: 541-734-2324

E-mail: info@silveychaingrinder.com

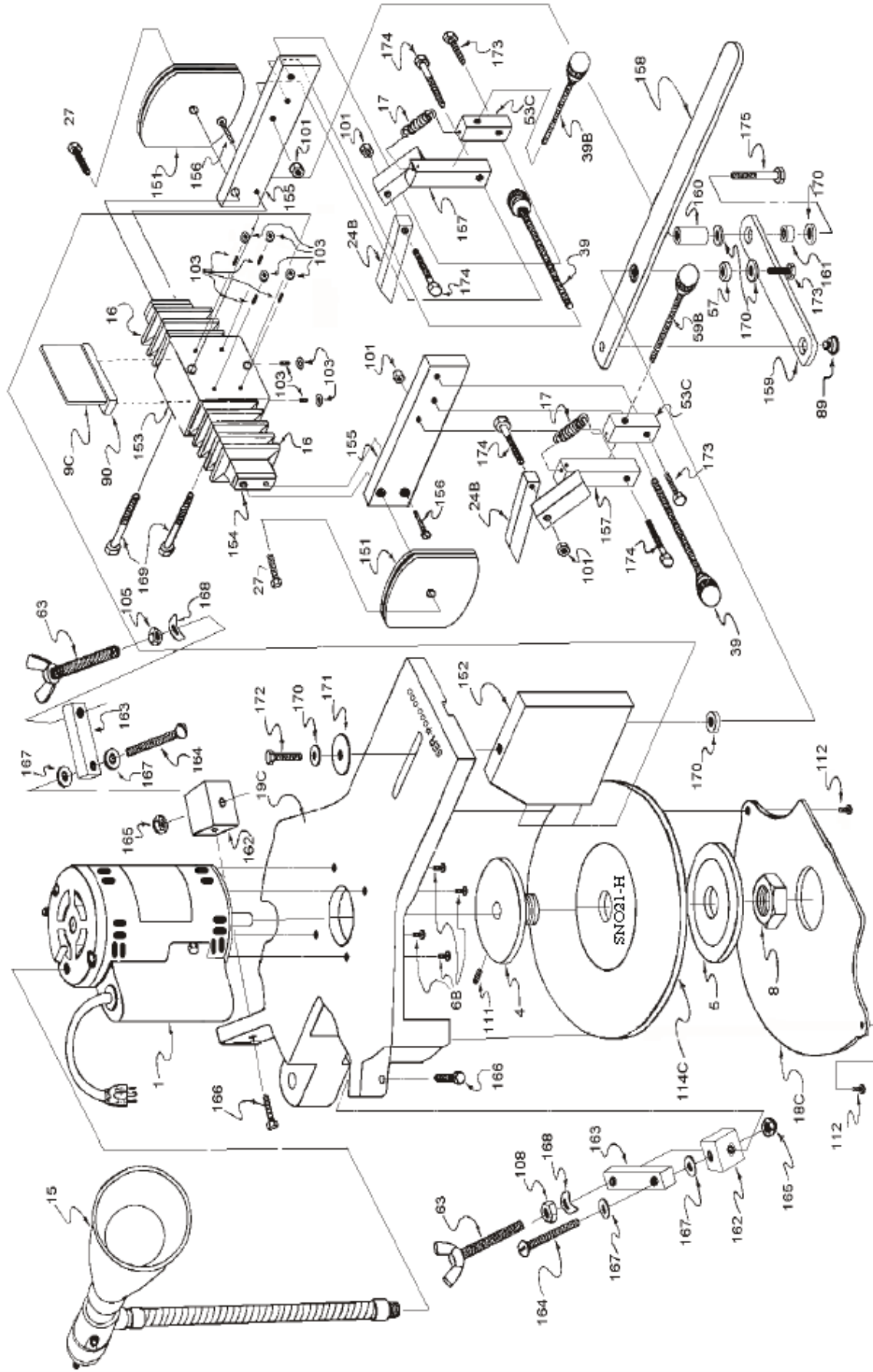
www.silveychaingrinder.com



MODEL RAZUR SHARP 2 PARTS BREAKDOWN

WARRENTY VOID IF OTHER THEN
SILVEY GRINDING WHEELS
ARE USED

USE WITH:
SNO21-H
WHEELS



· 4007 Crater Lake Highway · Medford, Oregon 97504 · Phone: 541-734-4118 · Fax: 541-734-2324 ·
· www.silveychaingrinder.com · info@silveychaingrinder.com ·

Razur Sharp II Parts List

ILLUS# DESCRIPTION		PART#	ILLUS# DESCRIPTION		PART #
SN	Serial Number Location		152	Cross Slide Mount	152-R
1	Motor	1-R	153	Cross Slide Extrusion	153-R
3	Motor Cord	3-R	154	Cross Slide Bar	154-R
4	Arbor	4-R	155	Chain Bar Mount	155-R
5	Arbor Flange	5-R	156	Chain Bar Mount Screw	156-R
6	Motor Mount Screw	6-R	157	Stop Mount Bracket	157-R
6B	Motor Lock Washers	6B-R	158	Handle	158-R
7	Switch	7-R	159	Handle Link	159-R
8	Arbor Nut	8-R	160	Handle Mount Spacer - Lg.	160-R
9C	Gib (Side)	9C-R	161	Handle Bushing.	161-R
9D	Gib (Small)	9D-R		R - 2 Handle Assembly	181-R
15	Lamp Assembly	15-R		Oil Plug	182-R
16	Boot	16-R	162	Dresser Block	162-R
17	Spring (Small)	17-R	163	Dresser Arm	163-R
18C	Wheel Cover	18C-R	164	Dresser Arm Bolt	164-R
19C	Motor Mount & Wheel Guard	19C-R	165	Lock Nut	165-R
24B	Stop Pawl	24B-R	166	Dresser Block Bolt.	166-R
27	Chain Bar Screw	27-R	167	Fiber Washer	167-R
39	Chain Bar Stop Screw & Knob	39-R	168	Plastic Lock Washer	168-R
39B	Tooth Length Adj. Screw & Knob	39B-R	169	Cross Slide Mounting Bolt	169-R
	Cord Lock	46B	170	Washer	170-R
53C	Tooth Length Adj. Screw Mount	53C-R	171	Fender Washer	171-R
57	Handle Mount Bushing	57-R	172	Cross Slide Assy Mount Bolt	172-R
63	Diamond Dresser	63-R	173	Handle Bolt	173-R
89	Handle Connector Bolt	89-R	174	Stop Mount Bracket Bolt	174-R
91	Tie Down	91-R	175	Handle Mount Bolt	175-R
92	Foam Tape	92-R	176	Aluminum Spacer	176-R
101	Nut	101-R	258	Stand Mount Bolt	258-RT
103A	Gib Adjustment Screw & Nut (Front)	103A-R	259	Stand Height Adj. Bolt	259-RT
103B	Gib Adjustment Screw & Nut (Bottom)	103B-R	260	Leg Bolt	260-RT
108	Nut	108-R	261	Stand Base	261-RT
111	Arbor Set Screw	111-R	262	Stand Extension	262-RT
112	Wheel Cover Screw	112-R	263	Stand Leg (Price Each Leg)	263-RT
114	Grinding Wheel **(SNO21-H)	114C-R		Tripod Stand Complete	300-RT
	Motor Bearings (Front End - Shaft)	146-A		Cross Slide Assembly	177-R
	Motor Bearings (Back End)	146-B		R - 2 Handle Assembly	181-R
151A	Chain Bar	151A-R		Oil Plug	182-R
151B	Chain Bar 50 / 63	151B-R			

R2/TRIPOD STAND

