

SHARPCHAIN®

PRO SHARP

SQUARE CHISEL CHAIN GRINDER

PARTS MANUAL

MANUFACTURED BY:



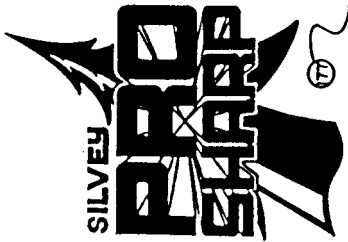
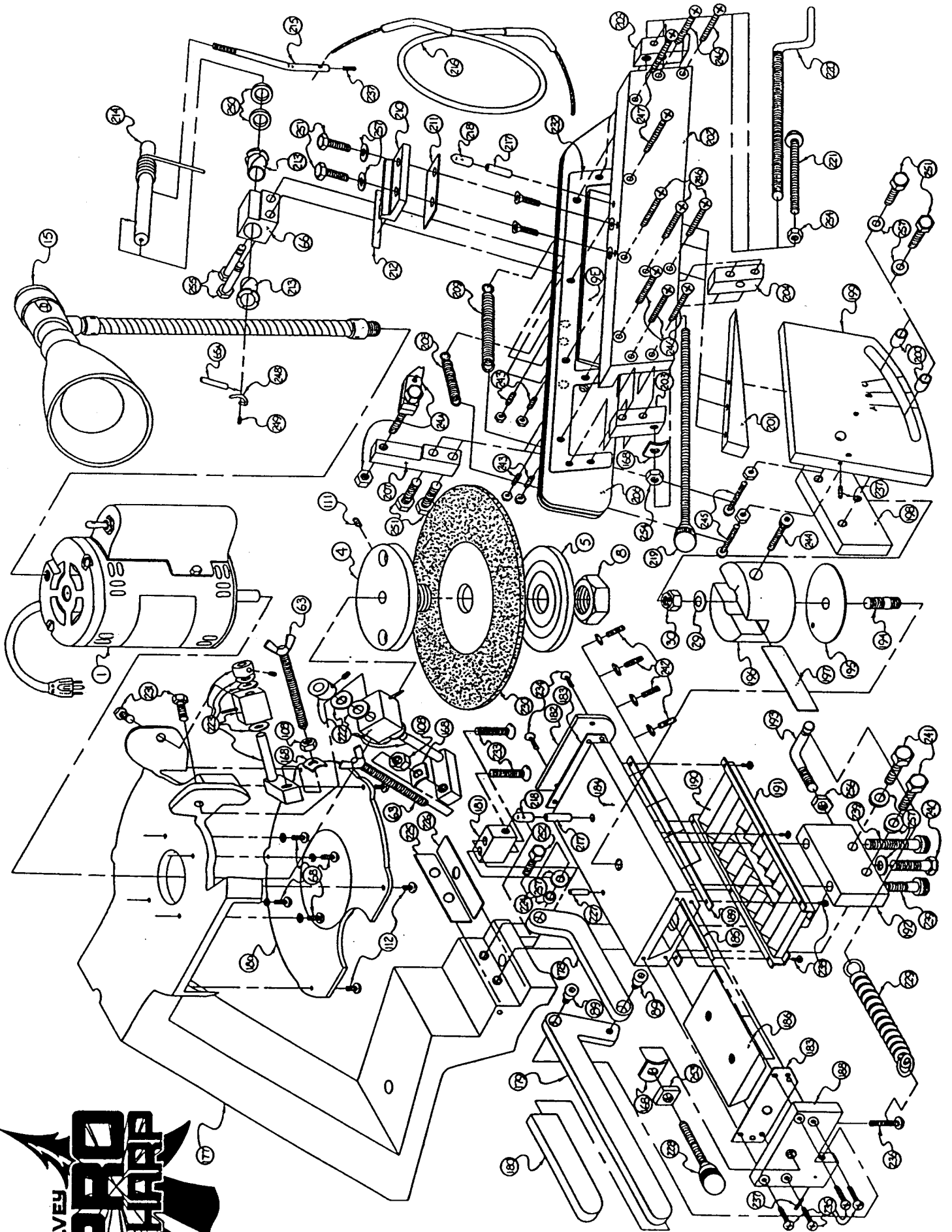
4007 CRATER LAKE HIGHWAY
MEDFORD, OR 97504

Phone: 541-734-4118

Fax: 541-734-2324

E-mail: info@silveychaingrinder.com

www.silveychaingrinder.com



ILLUS#	PRO SHARP PARTS	PART#	#REQ'D
1	MOTOR	1-S	1
4	ARBOR	4-4S	1
5	ARBOR FLANGE	5-S	1
6b	MOTOR MOUNT SCREW W/LOCK	6b-2	4
	SWITCH	7-S	1
8	ARBOR NUT	8-S	1
9e	GIB	9e-S	1
15	LIGHT ASSEMBLY	15-S	1
18d	WHEEL COVER	18d-S	1
24a	STOP PAWL ASSY.	24a-S	1
29	SPRING WASHER	29-S	1
30	LOCK NUT	30-S	1
63	DIAMOND DRESSER (MULTI POINT)	63-S	2
65a	HOLD DOWN PIN	65a-4S	1
66	HOLD DOWN PIN & SPRING ASSY. MNT. BLOCK	66-4S	1
89	HANDLE CONNECTOR BOLT	89-S	2
108	NUT	108-S	2
111	ARBOR SET SCREW	111-S	1
112	WHEEL COVER SCREW	112-S	5
	STOP PAWL FINGERS (PAIRS ONLY)	128-S	1 PAIR
168	PLASTIC LOCK WASHER	168-S	4
177	MACHINE BASE	177-S	1
178	HANDLE LINK	178-S	1
179	HANDLE	179-S	1
180	HANDLE GRIP	180-S	1
181	HANDLE LINK CONNECTION BLOCK	181-S	1
182	EXTRUSION END COVER (A)	182-S	1
183	EXTRUSION END GASKET	183-S	2
184	SLIDE EXTRUSION	184-S	1
185	EXTRUSION GIB	185-S	1
186	DOVETAIL SLIDE	186-S	1
188	EXTRUSION END COVER (B)	188-S	1
189	BOOT RAIL GASKET	189-S	2
190	BOOT	190-S	1
191	BOOT RAIL	191-S	2
192	DOVETAIL SLIDE MOUNTING BLOCK	192-S	1
193	SPRING ANCHOR	193-S	1
194	PIVOT STUD	194-S	1
195	PIVOT SHIM	195-S	1
196	BAR ASSEMBLY PIVOT MOUNT	196-S	1
197	BAR ASSY. SHIM (ASSORTED THICKNESSES)	197-S	VARIABLE
198	ANGLE PLATE MOUNT	198-S	1
199	ANGLE PLATE	199-S	1
200	ANGLE PLATE BUSHING	200-S	2
201	BAR CARRIAGE WEDGE	201-S	1
202	BAR CARRIAGE EXTRUSION	202-S	1
203	BAR CARRIAGE END PLUG (A)	203-S	1
204	BAR CARRIAGE INTERIOR PLUG	204-S	1
205	BAR CARRIAGE END PLUG (B)	205-S	1
206	CHAIN BAR	206-S	1
207	STOP MOUNT BRACKET	207-S	1
208	CARRIAGE SPRING (SMALL)	208-S	1
209	CARRIAGE SPRING (LARGE)	209-S	1
210	CHAIN STABILIZER BAR	210-S	1

211	CHAIN STABILIZER BAR SHIM (BOTTOM)	211-S	VARIABLE
212	CHAIN STABILIZER BAR SHIM (SIDE)	212-S	VARIABLE
213	NYLON BUSHING	213-S	2
214	HOLD DOWN SPRING ASSEMBLY	214-S	1
215	SPRING ASSY. CABLE ARM	215-S	1
216	CABLE	216-S	1
217	OIL TUBE	217-S	2
218	OIL CAP	218-S	2
219	CARRIAGE STOP KNOB	219-S	1
220	CHAIN FEED HANDLE	220-S	1
221	CARRIAGE RETURN STOP SCREW	221-S	1
222	DRESSER ASSEMBLY-TOP	222-S	1
223	DRESSER ASSEMBY-SIDE	223-S	1
224	HANDLE LINK BUSHING	224-S	1
225	MOUNTING BLOCK SHIM (BACK)	225-S	VARIABLE
226	MOUNTING BLOCK SHIM (BOTTOM)	226-S	VARIABLE
227	ANGLE STOP PIN	227-S	1
228	DOVETAIL SLIDE STOP KNOB	228-S	1
229	DOVETAIL SLIDE CARRIAGE SPRING	229-S	1
230	GRINDING WHEEL (SN 021)	230-S	1
231	DRESSER ASSY BOLT	231-S	2
232	BAR CARRIAGE GASKET	232-S	1
233	HANDLE LINK CONNECTING BLOCK SCREW	233-S	2
234	EXTRUSION END COVER (A) SCREW	234-S	2
235	EXTRUSION END COVER (B) SCREW	235-S	4
236	DOVETAIL SLIDE CARRIAGE SPRING ANCHOR SCREW	236-S	1
237	CABLE ALLEN SET SCREW	237-S	3
238	BOOT RAIL SCREW	238-S	6
239	DOVETAIL SLIDE MOUNTING BLOCK ALLEN BOLT	239-S	2
240	MOUNTING BLOCK BOTTOM BOLT	240-S	1
241	MOUNTING BLOCK SIDE BOLT	241-S	2
242	GIB ADJ. SCREW & JAM NUT	242-RS	4
243	GIB ADJ. SCREW & JAM NUT	243-S	4
244	BAR ASSY. ALLEN CAP SCREW	244-S	1
245	SPRING ANCHOR SCREW & JAM NUT	245-S	2
246	BAR CARRIAGE SCREW	246-S	8
247	BAR CARRIAGE SCREW & SPRING ANCHOR	247-S	2
248	HOLD DOWN PIN SPRING FINGER	248-S	1
249	SET SCREW	249-S	1
250	SPRING ASSY. SHAFT NYLON WASHER	250-S	2
251	BOLT	251-S	6
252	BOLT	252-S	1
253	BOLT	253-S	1
254	NUT	254-S	2
255	HOLD DOWN PIN & SPRING ASSY MNTG. BOLT ..	255-S	2
256	JAM NUT	256-S	1
257	WASHER	257-S	8