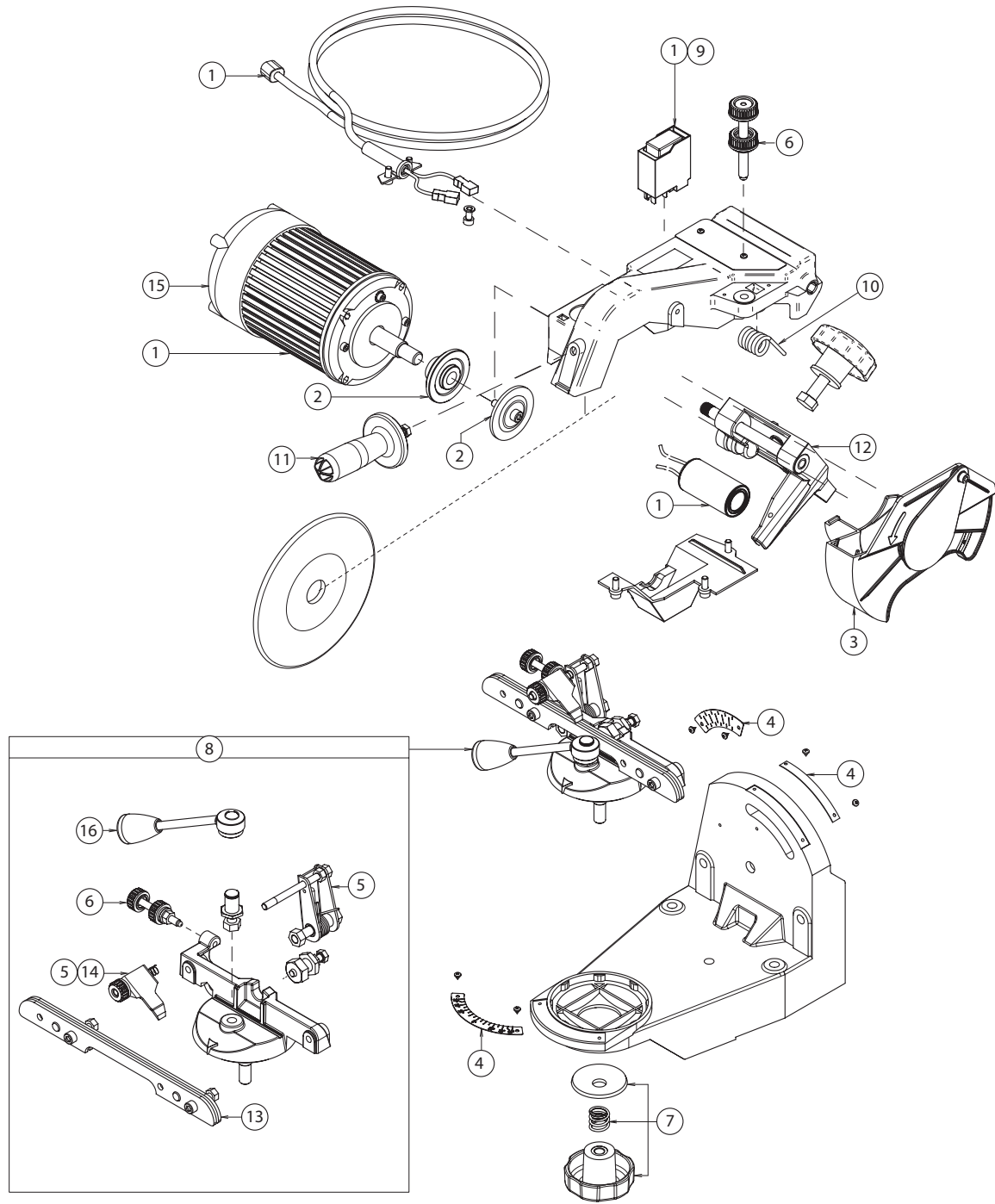
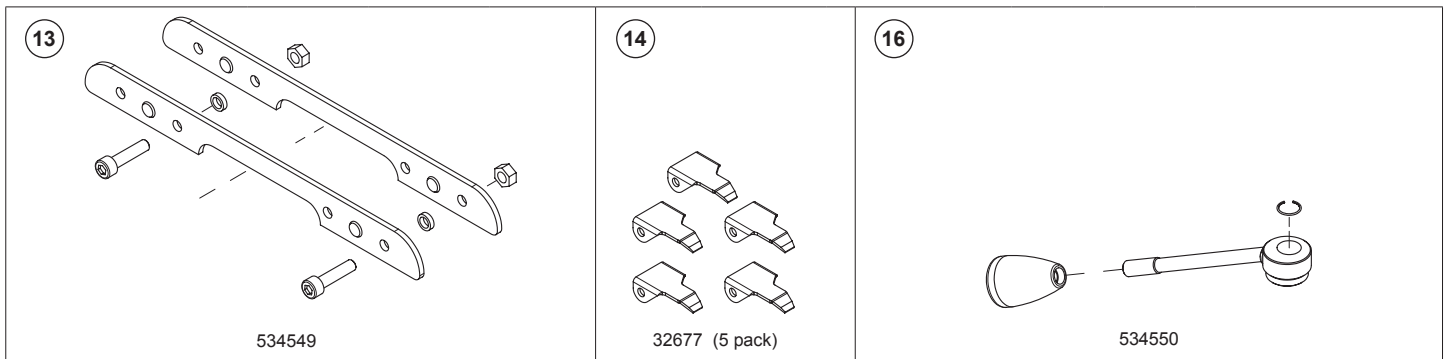
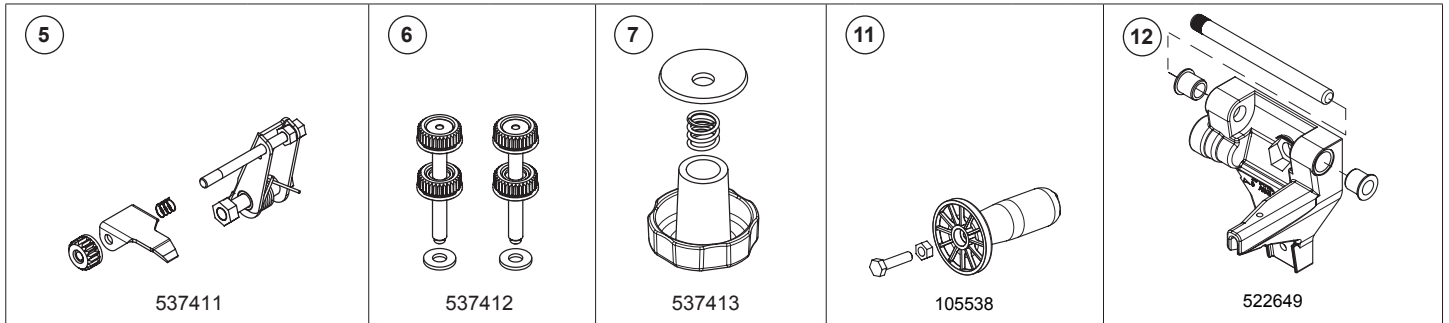
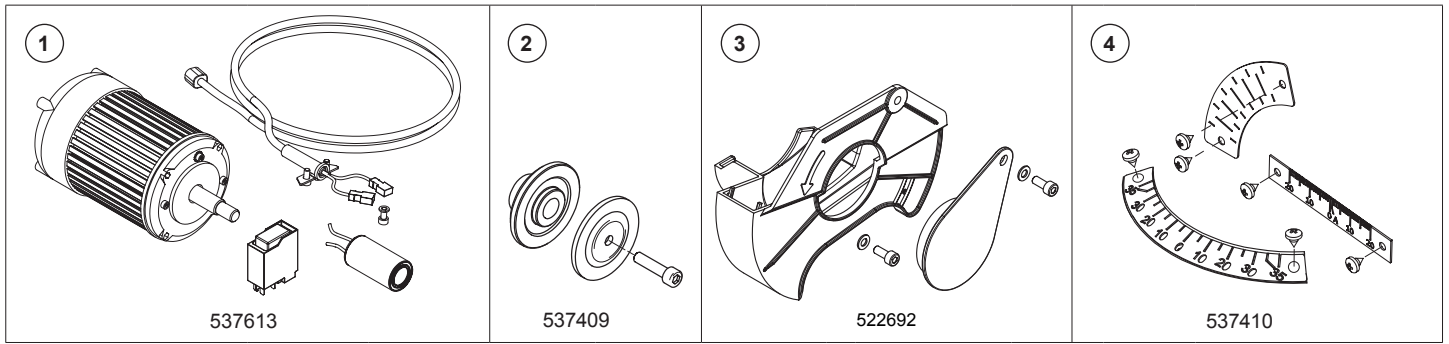


Replacement Parts for the 510A Bench Grinder



Item #	P/N	Description
1	537613	Complete Electrical Assembly
2	537409	Flange Kit
3	522692	Shield kit
4	537410	Scale Kit
5	537411	Chain Stop Assembly
6	537412	Adjustment Knob Kit
7	537413	Vise adj. knob kit
8	534477	Vise Assembly w/ no down angle

Item #	P/N	Description
9	109879	Switch on/off
10	35589	Spring, Arm Return
11	105538	Handle kit, head assembly
12	522649	Bracket arm support
13	534549	Vise Jaws Assembly
14	32677	Chain Stop (5 pack)
15	37947	End motor cap
16	534550	Vise handle



120V~ 60Hz

